

# IKAROS

Designed by  
**Koray Malhan**



## VALUE PROPOSAL



Ikaros is a sofa as an alternative to a desk and to serve the needs of any work environment, with the sofa arms doubling as a writing tablet and a table at the same time. The extension wing in the rear is at table height, where it can be used as a work surface while sitting on a chair. This feature allows the seating unit to be used simultaneously from inside and outside, providing the users with a collaborative use for more casual work.

# IKAROS

Designed by  
**Koray Malhan**

---

## PRODUCTION TIME



6-8 weeks + Shipping

---

## ASSEMBLY NOTES



The product is delivered assembled.

---

## WARRANTY



The warranty period shall be two years as of the date of delivery of the product.

Any malfunction that arises out of such use of the product that is in breach of the requirements and specifications set forth within the relevant user's manual shall be excluded from the warranty scope.

Warranty does not apply to customer's own fabric, leather, or other materials.

---

## CLEANING & MAINTENANCE



Clean with damp cloth with no chemical agents.

The maintenance and cleaning information of fabric, wood, marble, glass, metal and plastic materials in our standards are available in the cleaning and maintenance manual.

\* Please scan the QR code to see the cleaning and maintenance manual.



## COLORS & MATERIALS



**Seat:** Selected fabrics or leathers

**Glides:** Plastic

Ikaros series supports following upholsteries of the Koleksiyon colours and materials catalogue.  
Please scan the QR code to see the fabric information.



### Fabrics

- A** FK028  
İstanbul  
Armoni
- B** Era  
Alba
- C** Rivet  
Furnilana
- D** Main Line Flax  
Synergy  
Mood  
Plaza  
Toledo
- E** Matera  
Iseo  
Onix  
Remix 3  
Reflect
- F** Craggan  
Oceanic  
Velvety  
Credo  
Twin  
Mirage  
Memory 2  
Steelcut Trio 3  
Encircle

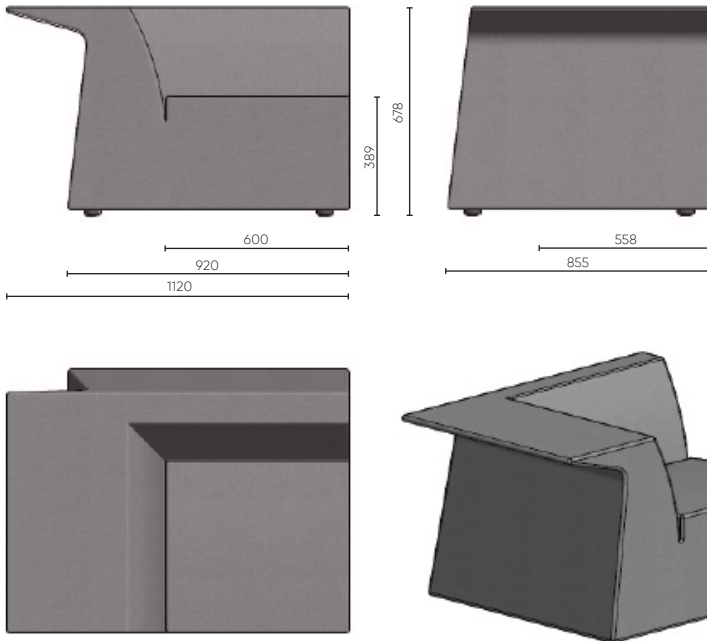
### Leather

- Genuine Leathers A
- Genuine Leathers B
- Genuine Leathers C
- Artifical Leathers
- Vita Artifical Leathers

TECHNICAL DRAWINGS



IKAROS SO 112 L LEFT\*



1 pcs  
0.78 m<sup>3</sup> 45.6 kg  
27.55 cbft<sup>3</sup> 100.53 lbs

**Dimensions:**

- Overall Width:** 1120 mm / 44.1"
- Overall Depth:** 855 mm / 33.7"
- Overall Height:** 678 mm / 26.7"
- Seat Width:** 600 mm / 23.6"
- Seat Depth:** 558 mm / 22"
- Seat Height:** 389 mm / 15.3"
- Arm Height:** 678 mm / 26.7"
- Arm Width:** 400 mm / 15.8"
- Base Width:** 920 mm / 36.3"

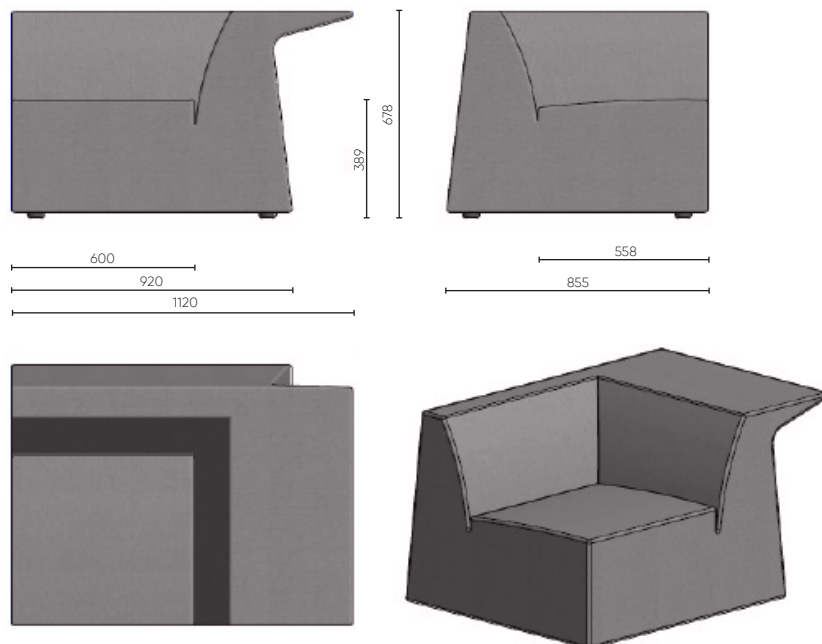
For COM: Customer's Own Material  
6 meters/6.56 yards of fabric required.

For COL: Customer's Own Leather  
1000 dm<sup>2</sup>/107.64 sq.ft of leather required.

**Product Description:**

Ikaros features a solid beech and plywood frame structure upholstered with elastic straps with flexible foam varieties. The horizontal surface on the armrest is structured with plywood. The base has plastic glides.

IKAROS SO 112 R RIGHT\*



1 pcs  
0.78 m<sup>3</sup> 45.6 kg  
27.55 cbft<sup>3</sup> 100.53 lbs

**Dimensions:**

- Overall Width:** 1120 mm / 44.1"
- Overall Depth:** 855 mm / 33.7"
- Overall Height:** 678 mm / 26.7"
- Seat Width:** 600 mm / 23.6"
- Seat Depth:** 558 mm / 22"
- Seat Height:** 389 mm / 15.3"
- Arm Height:** 678 mm / 26.7"
- Arm Width:** 400 mm / 15.8"
- Base Width:** 920 mm / 36.3"

For COM: Customer's Own Material  
6 meters/6.56 yards of fabric required.

For COL: Customer's Own Leather  
1000 dm<sup>2</sup>/107.64 sq.ft of leather required.

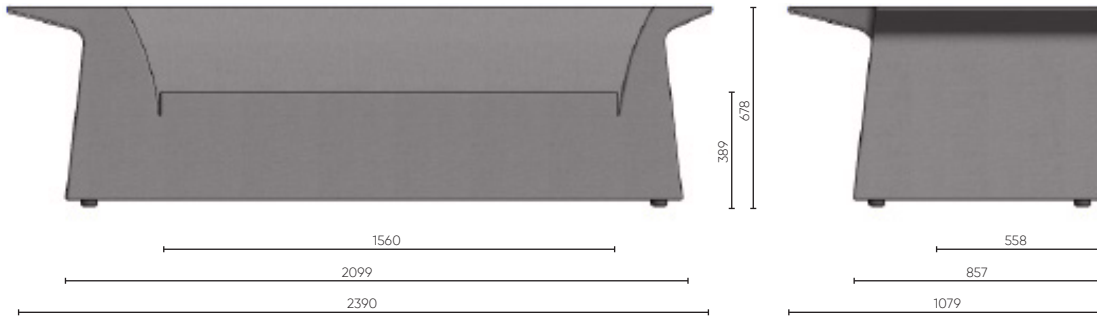
**Product Description:**

Ikaros features a solid beech and plywood frame structure upholstered with elastic straps with flexible foam varieties. The horizontal surface on the armrest is structured with plywood. The base has plastic glides.

## TECHNICAL DRAWINGS

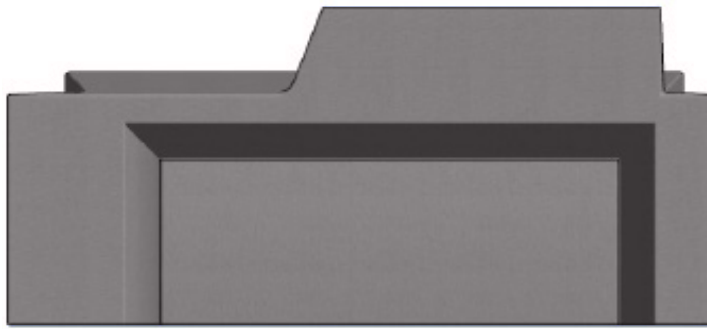


### IKAROS S0 240



1 pcs  
2.03 m<sup>3</sup>  
71.69 cbft<sup>3</sup>

89.5 kg  
197.31 lbs



#### Dimensions:

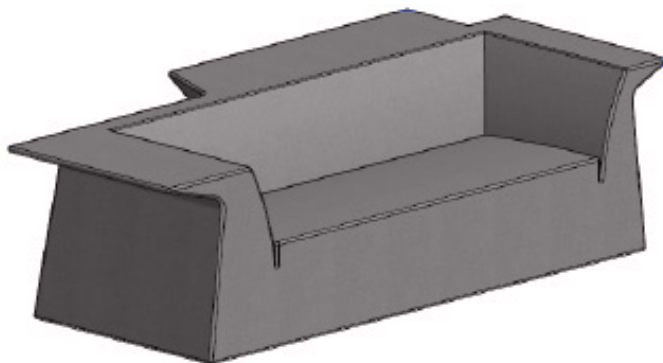
**Overall Width:** 2390 mm / 94.0"  
**Overall Depth:** 1079 mm / 42.4"  
**Overall Height:** 678 mm / 26.6"  
**Seat Width:** 1560 mm / 61.4"  
**Seat Depth:** 558 mm / 21.9"  
**Seat Height:** 389 mm / 15.3"  
**Arm Height:** 678 mm / 26.6"  
**Arm Width (right):** 400 mm / 15.8"  
**Arm Width (left):** 200 mm / 7.9"  
**Base Width:** 2099 mm / 82.6"

For COM: Customer's Own Material  
10 meters/10.94 yards of fabric required.

For COL: Customer's Own Leather  
1850 dm<sup>2</sup>/199.13 sq.ft of leather required.

#### Product Description:

Ikaros features a solid beech and plywood frame structure upholstered with elastic straps with flexible foam varieties. The horizontal surface on the armrest is structured with plywood. The base has plastic glides.



∴ koleksiyon