

LAURA

Designed by
Faruk MALHAN



VALUE PROPOSAL



Laura is a modern sofa designed to elevate the environment while offering a high level of comfort with the use of feathers inside the cushions.

LAURA

Designed by **Faruk MALHAN**

PRODUCTION TIME



6-8 weeks + Shipping

ASSEMBLY NOTES



The product is delivered assembled.

WARRANTY



The warranty period shall be two years as of the date of delivery of the product.

Any malfunction that arises out of such use of the product that is in breach of the requirements and specifications set forth within the relevant user's manual shall be excluded from the warranty scope.

Warranty does not apply to customer's own fabric, leather, or other materials.

CLEANING & MAINTENANCE



Clean with a damp cloth with no chemical agents.

The maintenance and cleaning instructions for fabric, wood, marble, glass, metal and plastic used in our products are available in the cleaning and maintenance manual.

* Please scan the QR code to see the cleaning and maintenance manual.



COLOURS & MATERIALS



Seat: Selected fabrics and leathers

Legs: Powder coated metal

Cushions: Selected fabrics and leather filled with goose feather fiber mix

Glides: Clear plastic

Laura sofa series supports following upholsteries of the Koleksiyon colours and materials catalogue.
Please scan the QR code to see the fabric information.



Fabrics

- | | | | |
|-----------|---------------------------------|----------|---|
| A | Polo Armoni FK028 | E | Onix Matera |
| B | Austin Savana Era Alba | F | Twin Credo Mirage Velvety Craggan |
| B+ | Farinoso | | |
| C | Antares | | |
| D | Gina Duke Main Line Flax | | |

Metal Finish



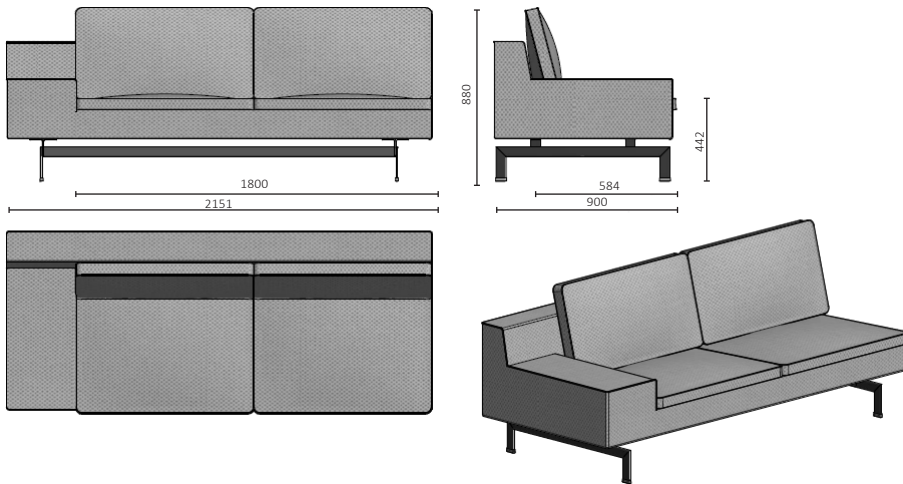
RAL7021
ANTHRACITE

TECHNICAL DRAWINGS



LAURA S0 215 LEFT *

1 pcs
 1.162 m³ 77 kg
 41.04 cbft³ 169.76 lbs



Dimensions:

- Overall Width:** 2151 mm / 84.7"
- Overall Depth:** 928 mm / 36.5"
- Overall Height:** 880 mm / 34.7"
- Seat Width:** 1800 mm / 70.9"
- Seat Depth:** 584 mm / 23"
- Seat Height:** 442 mm / 17.4"
- Arm Height:** 519 mm / 20.4"
- Arm Width:** 350 mm / 13.8"

For COM (Customer's Own Material):
 13 meters/14.22 yards of fabric required

Product Description:

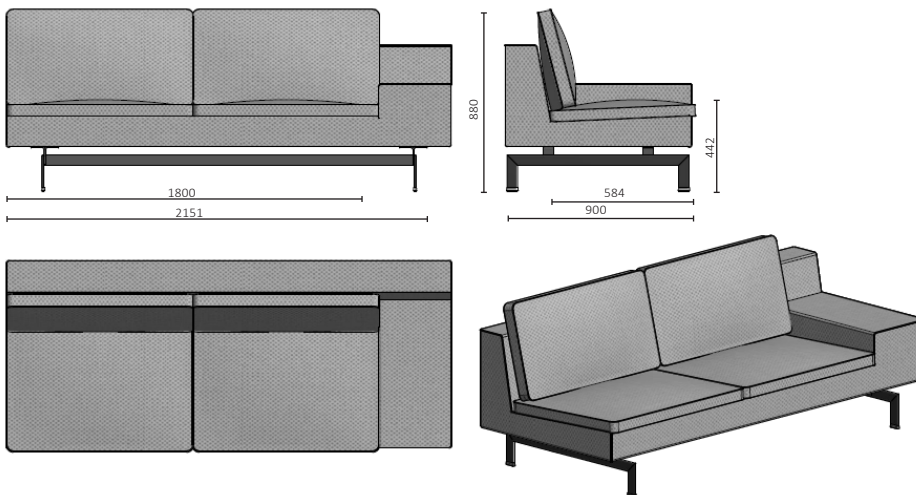
Laura models feature a metal interior frame structure with elastic webbings, and the seat and armrests are upholstered with various density foams.

The seat and back cushions feature a 50/50 goose feather and ball fiber blend filling.

The base structure is powder-coated metal with clear plastic floor protection and felt glides.

LAURA S0 215 RIGHT *

1 pcs
 1.162 m³ 77 kg
 41.04 cbft³ 169.76 lbs



Dimensions:

- Overall Width:** 2151 mm / 84.7"
- Overall Depth:** 928 mm / 36.5"
- Overall Height:** 880 mm / 34.7"
- Seat Width:** 1800 mm / 70.9"
- Seat Depth:** 584 mm / 23"
- Seat Height:** 442 mm / 17.4"
- Arm Height:** 519 mm / 20.4"
- Arm Width:** 350 mm / 13.8"

For COM (Customer's Own Material):
 13 meters/14.22 yards of fabric required

Product Description:

Laura models feature a metal interior frame structure with elastic webbings, and the seat and armrests are upholstered with various density foams.

The seat and back cushions feature a 50/50 goose feather and ball fiber blend filling.

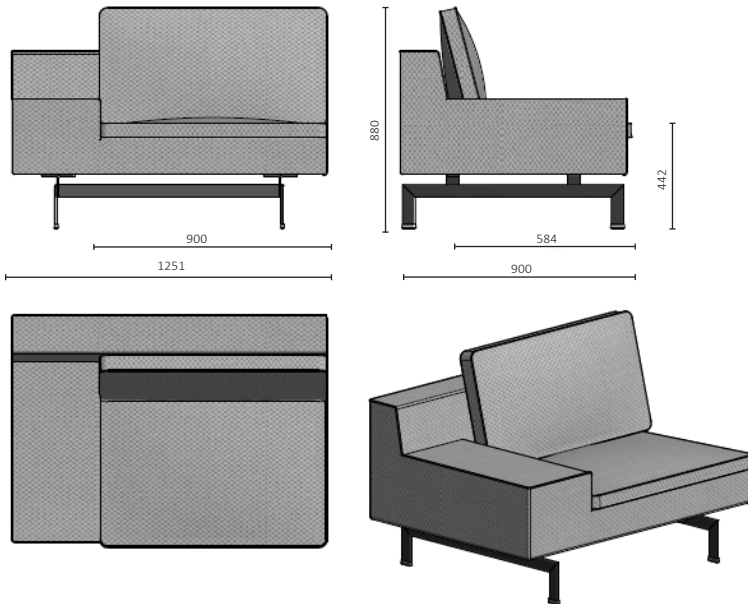
The base structure is powder-coated metal with clear plastic floor protection and felt glides.

TECHNICAL DRAWINGS



LAURA SO 125 LEFT*

1 pcs
0.704 m³ 56 kg
24.86 cbft³ 123.46 lbs



Dimensions:

- Overall Width:** 1257 mm / 49.4"
- Overall Depth:** 928 mm / 36.5"
- Overall Height:** 880 mm / 34.7"
- Seat Width:** 900 mm / 35.4"
- Seat Depth:** 584 mm / 23"
- Seat Height:** 442 mm / 17.4"
- Arm Height:** 519 mm / 20.4"
- Arm Width:** 350 mm / 13.8"

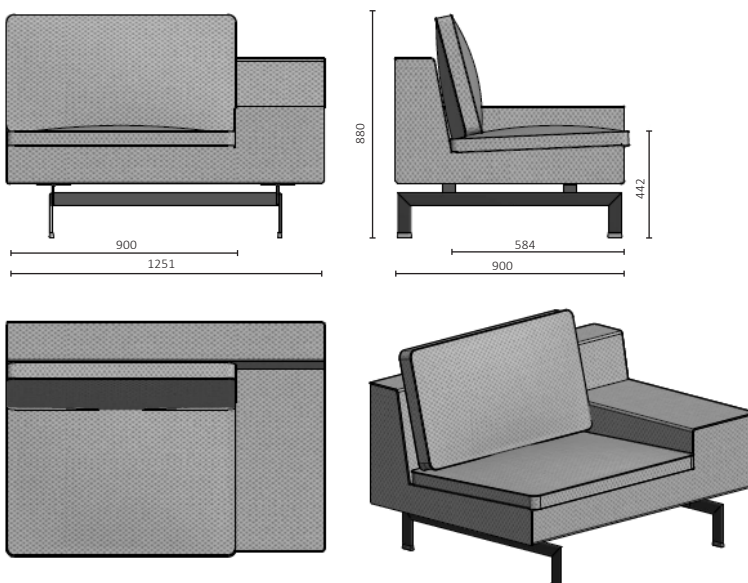
For COM (Customer's Own Material):
7 meters/ 7.66 yards of fabric required.

Product Description:

Laura models feature a metal interior frame structure with elastic webbings, and the seat and armrests are upholstered with various density foams. The seat and back cushions feature a 50/50 goose feather and ball fiber blend filling. The base structure is powder-coated metal with clear plastic floor protection and felt glides.

LAURA SO 125 RIGHT*

1 pcs
0.704 m³ 56 kg
24.86 cbft³ 123.46 lbs



Dimensions:

- Overall Width:** 1257 mm / 49.4"
- Overall Depth:** 928 mm / 36.5"
- Overall Height:** 880 mm / 34.7"
- Seat Width:** 900 mm / 35.4"
- Seat Depth:** 584 mm / 23"
- Seat Height:** 442 mm / 17.4"
- Arm Height:** 519 mm / 20.4"
- Arm Width:** 350 mm / 13.8"

For COM (Customer's Own Material):
7 meters/ 7.66 yards of fabric required.

Product Description:

Laura models feature a metal interior frame structure with elastic webbings, and the seat and armrests are upholstered with various density foams. The seat and back cushions feature a 50/50 goose feather and ball fiber blend filling. The base structure is powder-coated metal with clear plastic floor protection and felt glides.

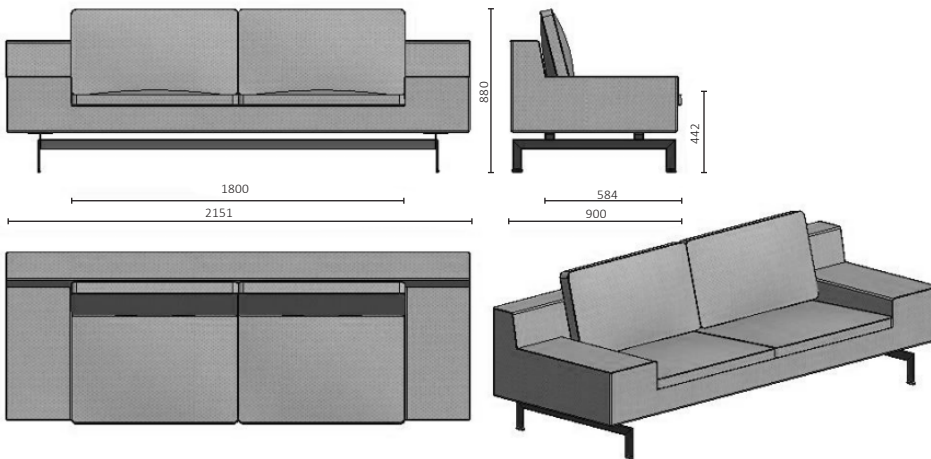
TECHNICAL DRAWINGS



LAURA S0 250 SOFA

1 pcs
1.319 m³
46.58 cbft³

90 kg
198.42 lbs



Dimensions:

Width: 2508 mm / 98.7"
Depth: 928 mm / 36.5"
Seat width: 1808 mm / 71.1"
Seat depth: 708 mm / 27.8"
Backrest height: 880 mm / 34.6"
Seat height: 441 mm / 17.3"
Arm height: 519 mm / 20.4"
Arm width: 350 mm / 13.7"

For COM (Customer's Own Material):
14.5 meters/ 15.86 yards of fabric required.

Product Description:

Laura models feature a metal interior frame structure with elastic webbings, and the seat and armrests are upholstered with various density foams.

The seat and back cushions feature a 50/50 goose feather and ball fiber blend filling.

The base structure is powder-coated metal with clear plastic floor protection and felt glides.

∴ koleksiyon