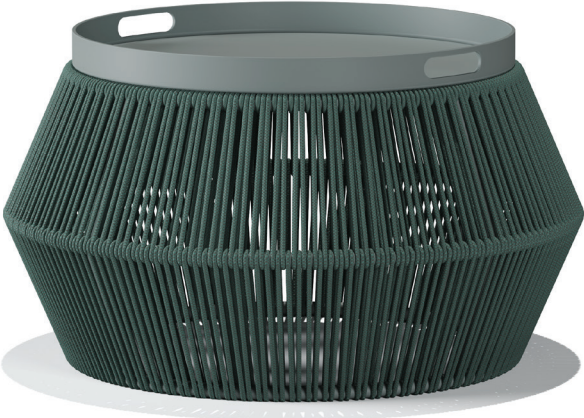


# CAGE

Designed by  
**ATELIER XTERIER**



---

## VALUE PROPOSAL



Cage Pouf is a versatile product that seamlessly adapts to any living space. It combines the comfort, lightness, and durability features of the best indoor systems with the resilience to outdoor conditions. Thanks to its varying heights, it can be utilized as both a pouf and a side table. Additionally, with its different color options for woven rope and various accessories, it transforms spaces into sculptural environments.

The Cage Tray is made of aluminium and combines ease of use and durability. This product enriches your living spaces by providing a practical and durable solution for your outdoor areas.

# CAGE

Designed by  
**ATELIER XTERIER**

---

## PRODUCTION TIME



6-8 weeks + Shipping

---

## ASSEMBLY NOTES



The product is delivered assembled.

---

## AREA OF USE



Suitable for both Indoor and Outdoor use.

---

## WARRANTY



The warranty period shall be two years as of the date of delivery of the product.

Any malfunction that arises out of such use of the product that is in breach of the requirements and specifications set forth within the relevant user's manual shall be excluded from the warranty scope.

Warranty does not apply to customer's own fabric, leather, or other materials.

---

## CLEANING & MAINTENANCE



Clean with a damp cloth with no chemical agents.

The maintenance and cleaning instructions for fabric, wood, marble, glass, metal and plastic used in our products are available in the cleaning and maintenance manual.

\*Please scan the QR code to see the cleaning and maintenance manual.



**COLOURS & MATERIALS**



**Base:** Woven rope over powder coated aluminum frame structure

\*Color and material preference cannot be made other than product images.

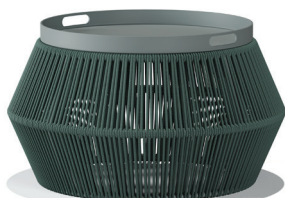


MK / R61



RED RALL 3033  
SANDY  
NC30506

1 pcs  
0.205 m<sup>3</sup> 3.91 kg  
7.23 cbft<sup>3</sup> 8.62 lbs



MK / R44



LIGHT GREY 169 J  
MATT  
SANDY NC 72945

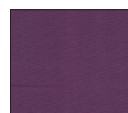
1 pcs  
0.200 m<sup>3</sup> 4.02 kg  
7.06 cbft<sup>3</sup> 8.86 lbs



MK / R61



RED RALL 3033  
SANDY  
NC30506



CARTENZA 60



MK / R44



LIGHT GREY 169 J  
MATT  
SANDY NC 72945

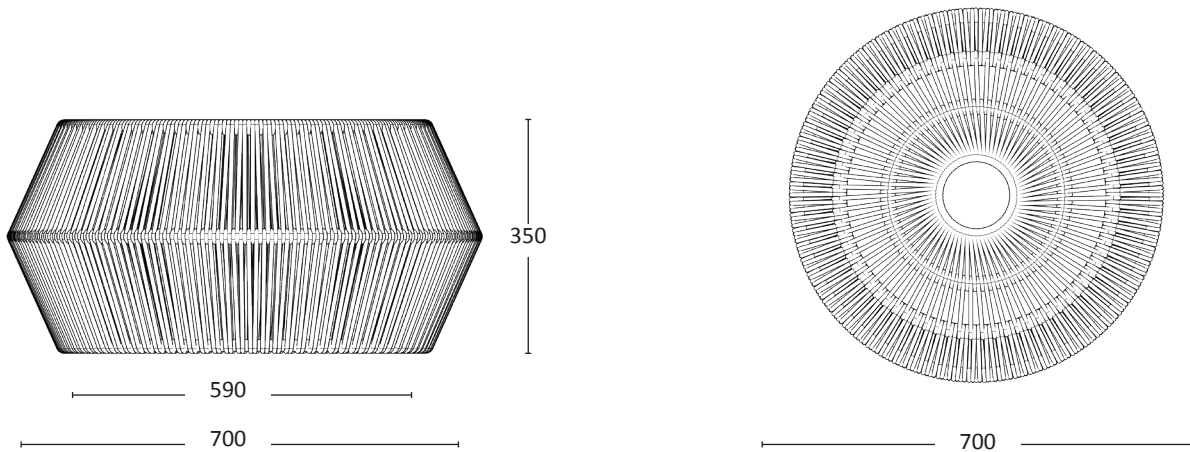


CARTENZA 042

## TYOLOGY



### CAGE SERIES



#### Dimensions:

**Width:** 700 mm / 27.9"  
**Depth:** 700 mm / 27.9"  
**Height:** 350 mm / 13.2"

#### Product Description:

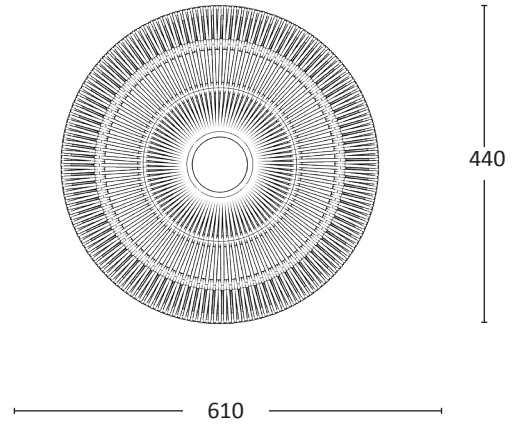
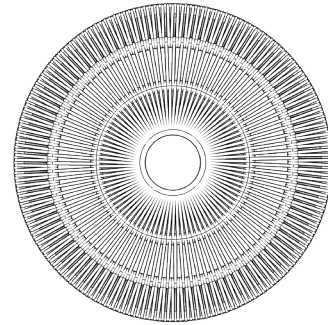
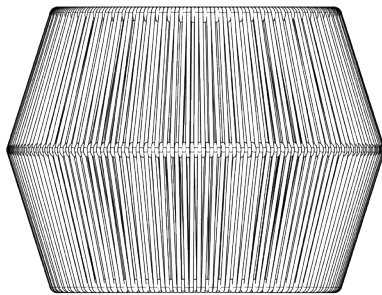
- Woven rope over powder coated aluminum frame structure
- The materials and surface treatments are suitable for indoor and outdoor use

## TYOLOGY



---

### CAGE SERIES



#### Dimensions:

**Width:** 610 mm / 24.1"

**Depth:** 610 mm / 24.1"

**Height:** 440 mm / 17.2"

#### Product Description:

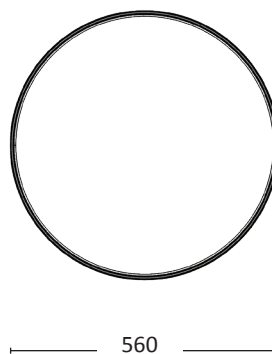
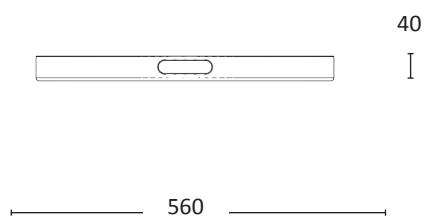
- Woven rope over powder coated aluminum frame structure
- The materials and surface treatments are suitable for indoor and outdoor use

## TYPOLOGY



---

### CAGE SERIES / TRAY



#### Dimensions:

**Width:** 560 mm / 22.3"

**Depth:** 560 mm / 22.3"

**Height:** 40 mm / 1.3"

#### Product Description:

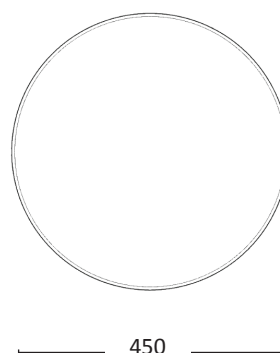
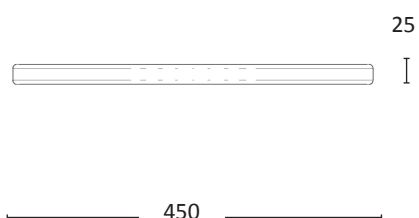
- Powder coated aluminum
- The materials and surface treatments are suitable for indoor and outdoor use

## TYPOLOGY



---

## CAGE SERIES / CUSHION



### Dimensions:

**Width:** 450 mm / 17.7"

**Depth:** 450 mm / 17.7"

**Height:** 25 mm / 0.9"

### Product Description:

- Upholstered quick dry foam
- The materials and surface treatments are suitable for indoor and outdoor use

ꞑkoleksiyon