

LEAF

Designed by
ATELIER XTERIER



VALUE PROPOSAL



Designed in line with today's contemporary sensibilities, the leaf coffee table reflects a minimalist and environmentally friendly approach to design. The elegant shape of the leaf and the use of natural materials add a warm and peaceful atmosphere to the rooms, while at the same time attracting attention with its modern lines. This coffee table combines comfort and aesthetics, adding unique style and functionality to any space where it is used. Inspired by the shape of a leaf, this coffee table is both an aesthetic and functional design object. It has an aluminum frame and a teak wood top. The lightness of aluminum makes the coffee table easy to transport, while the high oil content of teak wood makes it resistant to water and decay. It also gives the coffee table a long-lasting character that can adapt to all kinds of indoor and outdoor decorations.

LEAF

Designed by
ATELIER XTERIER

PRODUCTION TIME



6-8 weeks + Shipping

ASSEMBLY NOTES



The product is delivered assembled.

AREA OF USE



Suitable for both Indoor and Outdoor use.

WARRANTY



The warranty period shall be two years as of the date of delivery of the product.

Any malfunction that arises out of such use of the product that is in breach of the requirements and specifications set forth within the relevant user's manual shall be excluded from the warranty scope.

Warranty does not apply to customer's own fabric, leather, or other materials.

CLEANING & MAINTENANCE



Clean with a damp cloth with no chemical agents.

The maintenance and cleaning instructions for fabric, wood, marble, glass, metal and plastic used in our products are available in the cleaning and maintenance manual.

*Please scan the QR code to see the cleaning and maintenance manual.



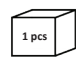
COLOURS & MATERIALS



Tabletop: Solid teak

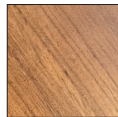
Base: Powder coated aluminum

*Color and material preferences cannot be altered for this product.

1 pcs 
0.112 m³ 7.49 kg
3.95 cbft³ 16.51 lbs



COFFEE BROWN
METALIC SANDY
NC91033

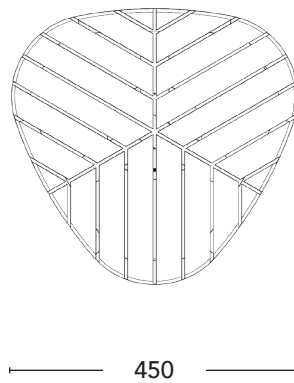
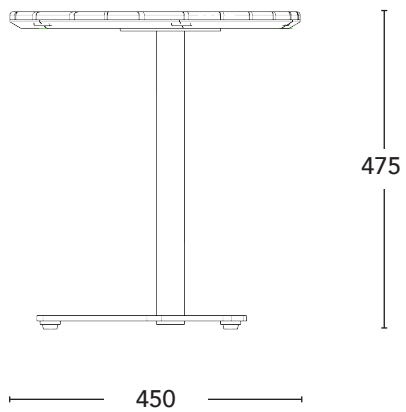


TEAK

TPOLOGY



LEAF COFFEE TABLE



Dimensions:

Width: 450 mm / 17.7"

Depth: 450 mm / 17.7"

Height: 475 mm / 18.7"

Product Description:

- Leaf Coffee Tables have a solid teak tabletop finished with teak oil, suitable for humid weather and rainfall.
- The base is powder coated aluminum, resistant to surface tear and rusting.

ꞑkoleksiyon