

POEMA

Designed by **Studio Kairos**



VALUE PROPOSAL



Poema is designed as an alternative workplace setting; its lower seats and worktop elements replace standard height chairs and tables, creating a spatial richness in the work habitat. The main idea is to cater to ad hoc meetings and creative teamwork sessions. The modular elements of the seat and plant units provide an open system for a wide variety of compositions, thus offering a palette for change when needed.

POEMA

Designed by **Studio Kairos**

PRODUCTION TIME



6-8 weeks + Shipping

ASSEMBLY NOTES



The product is delivered assembled.

PRODUCT DESCRIPTION



Poema features four types of modular units: two seating units with a teardrop backrest, one pouf with a sturdy work surface, and one planter; giving the customer endless possibilities to both utilize and ornate public spaces (see Product Application).

Poema units use steel and plywood combination frame construction and high-resilience foam that provides a comfortable, plush seating.

Ganging hardware need not be ordered separately if using multiple components for large scale installations.

WARRANTY



2 Year Warranty

The warranty period shall be 2 years as of the date of delivery of the product.

Any malfunction that arises out of such use of the product that is in breach of the requirements and specifications set forth within the relevant user's manual shall be excluded from the warranty scope.

Warranty does not include to customers own material fabric, leather, or other materials.

CLEANING & MAINTENANCE



Clean with a damp cloth and no chemical agents.

The planter inside the planter unit includes drainage holes and a container that allows the excess water to pool in and evaporate from. It is recommended to put a layer of pebbles on the bottom of the planter before adding soil. Opt for plants that do not require large amounts of water.

The maintenance and cleaning information of fabric, wood, marble, glass, metal and plastic materials in our standards are available in the cleaning and maintenance manual.

*Please scan the QR code or click on the QR code to see the cleaning and maintenance manual.



COLORS & MATERIALS



Poema series support following upholsteries of Koleksiyon Fabrics catalogue.
Please scan the QR code or click on the QR code to see the fabric information.



Fabrics

- A** FK028
İstanbul
Armoni
- B** Era
Alba
- C** Jeans
Jet
Torino
Rivet
Furnilana
- D** Main Line Flax
Synergy
Mood
Toledo
Plaza
- E** Matera
Iseo
Onix
- F** Craggan
Oceanic
Twin
Credo
Mirange
Velvety

Genuine Leathers

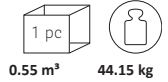
Artificial Leathers

Vita Artificial Leathers

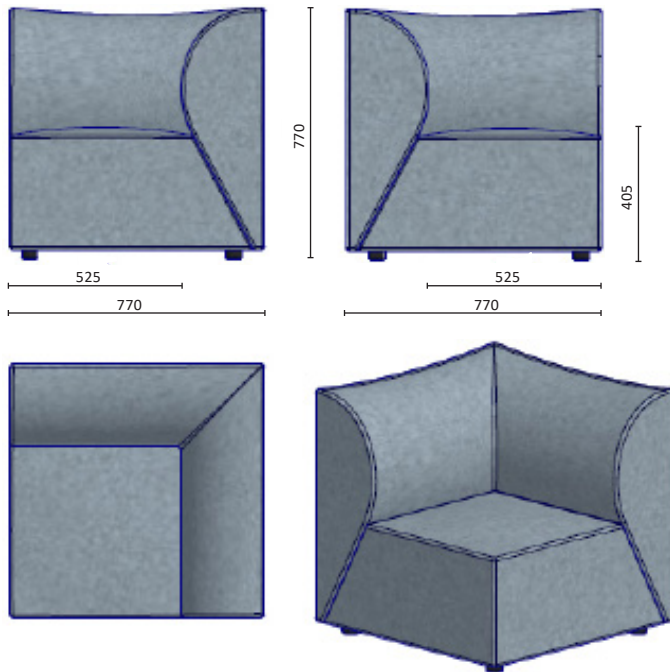
TECHNICAL DRAWINGS



POEMA S0 CORNER ARMCHAIR



0.55 m³ 44.15 kg



Dimensions:

Overall Width: 770 mm / 30.3"
 Overall Depth: 770 mm / 30.3"
 Overall Height: 770 mm / 30.3"
 Seat Height: 405 mm / 15.9"
 Seat Depth: 525 mm / 20.7"
 Seat Width: 525 mm / 20.7"
 Arm Height: 770 mm / 30.3"
 Arm Width: 265 mm / 10.4"

For COM: Customer's Own Material:

6 meters/6.56 yards of fabric required.

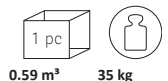
For COL: Customer's Own Leather:

900 dm²/96.87 sq.ft of leather required.

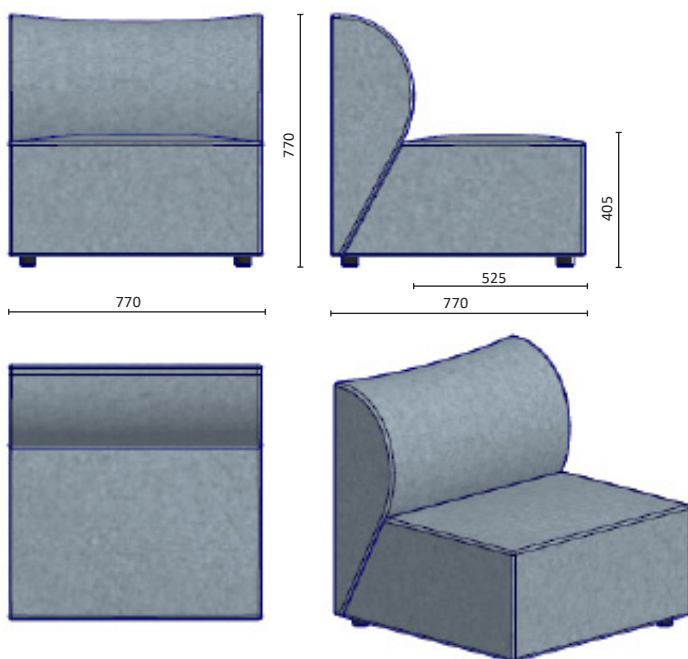
Poema armchair corner unit features a steel structure frame covered with injection polyurethane foam of various density, upholstered with selected fabrics or leathers.

The base has four glides in black plastic.

POEMA S0 MIDDLE ARMCHAIR



0.59 m³ 35 kg



Dimensions:

Overall Width: 30.3" / 770 mm
 Overall Depth: 30.3" / 770 mm
 Overall Height: 30.3" / 770 mm
 Seat Height: 15.9" / 405 mm
 Seat Depth: 20.7" / 525 mm
 Seat Width: 31.1" / 790 mm

For COM: Customer's Own Material:

4.5 meters/4.92 yards of fabric required.

For COL: Customer's Own Leather:

750 dm²/80.73 sq.ft of leather required.

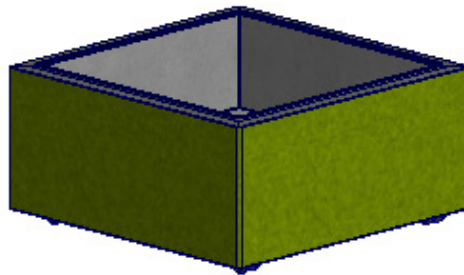
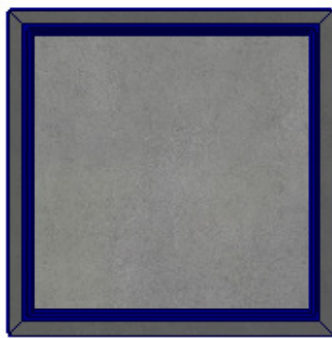
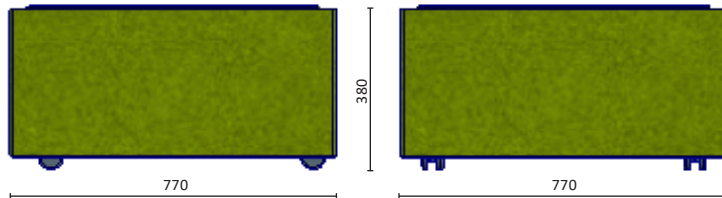
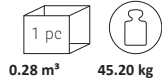
Poema armchair middle unit features a steel structure frame covered with injection polyurethane foam of various density, upholstered with selected fabrics or leathers.

The base has four glides in black plastic.

TECHNICAL DRAWINGS



POEMA S0 PLANTER



Dimensions:

Overall Width: 770 mm / 30.3"
Overall Depth: 770 mm / 30.3"
Overall Height: 380 mm / 15"

For COM: Customer's Own Material:

2 meters/2.19 yards of fabric required.

For COL: Customer's Own Leather:

150 dm²/16.14 sq.ft of leather required.

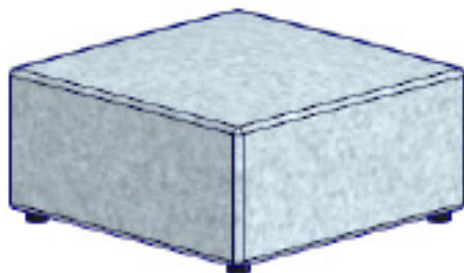
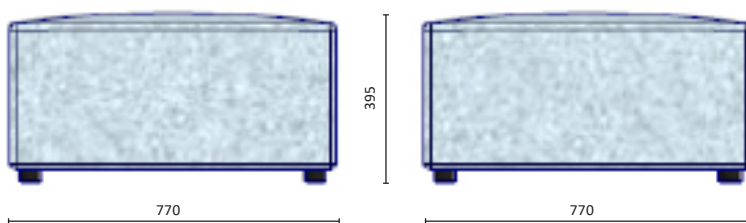
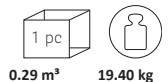
Poema planter features a steel structure frame covered with chipboard that gets upholstered in selected fabrics and leathers.

The top edges of the planter are always covered in water-proof faux leather to prevent water damage on the upholstery material.

The planter inside the unit is a polyfiber plastic container with dimensions 27.6"sq x 11.4".

The base consists of four black plastic casters.
Note: This is the only mobile Poema unit with casters, therefore it does not fasten to other units.

POEMA S0 POUF



Dimensions:

Width: 770 mm / 30.3"
Depth: 770 mm / 30.3"
Height: 395 mm / 15.6"

For COM: Customer's Own Material:

2.5 meters/2.73 yards of fabric required.

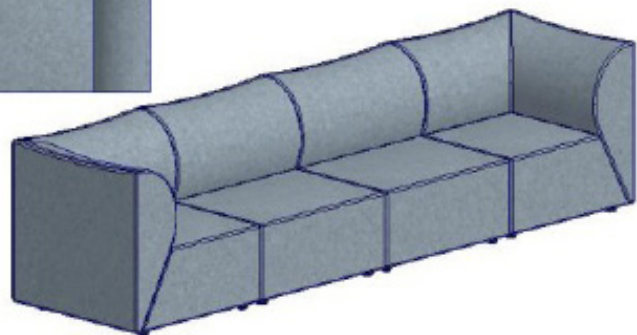
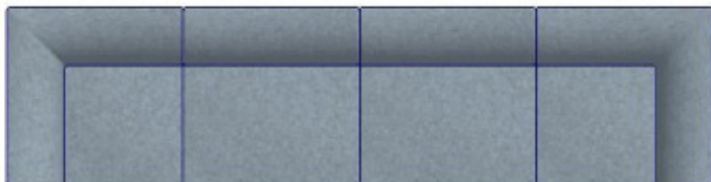
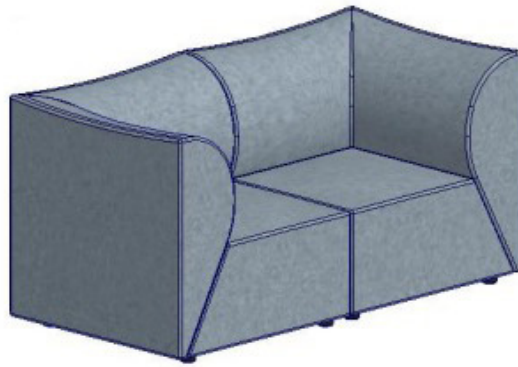
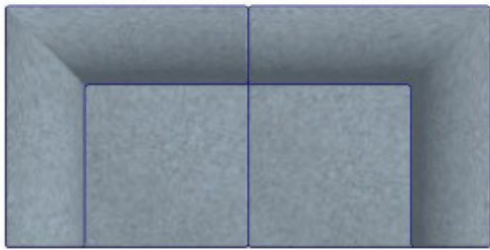
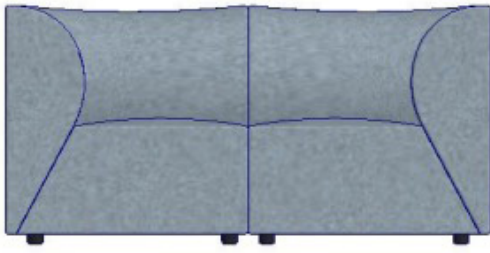
For COL: Customer's Own Leather:

450 dm²/48.44 sq.ft of leather required.

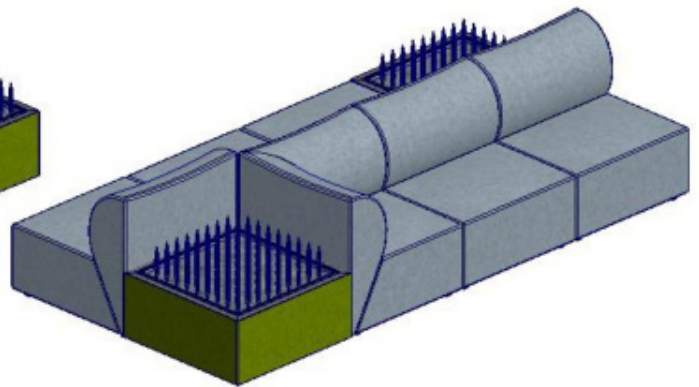
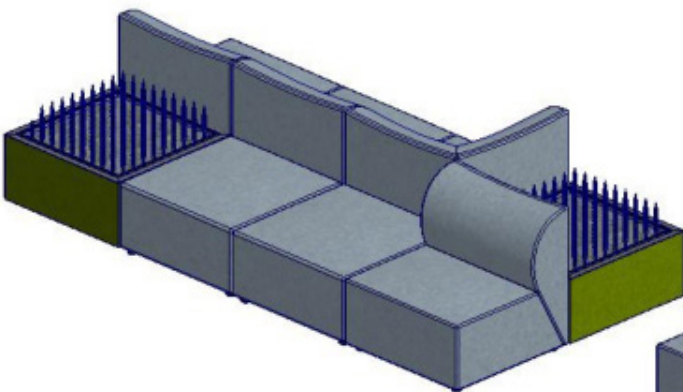
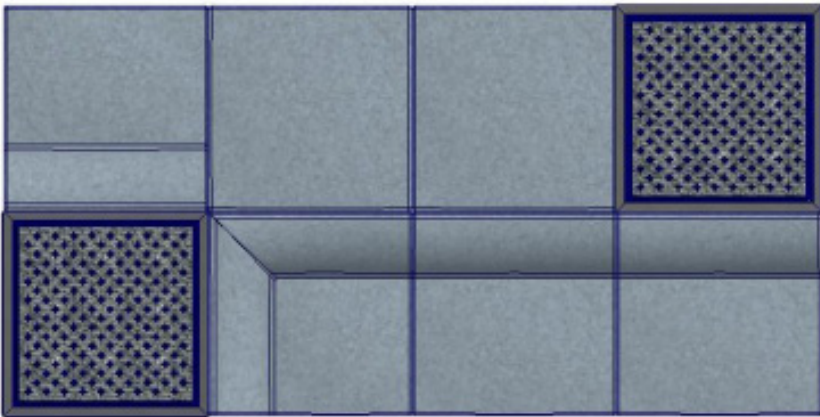
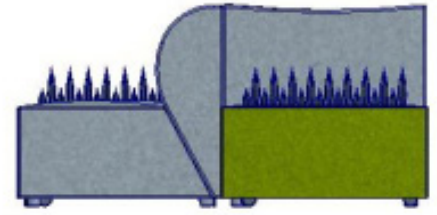
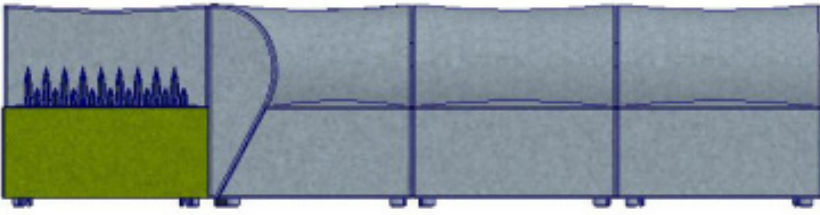
Poema pouf unit has a solid beech structure frame covered with injection polyurethane foam of various density, upholstered with selected fabrics or leathers.

The base has four glides in black plastic.

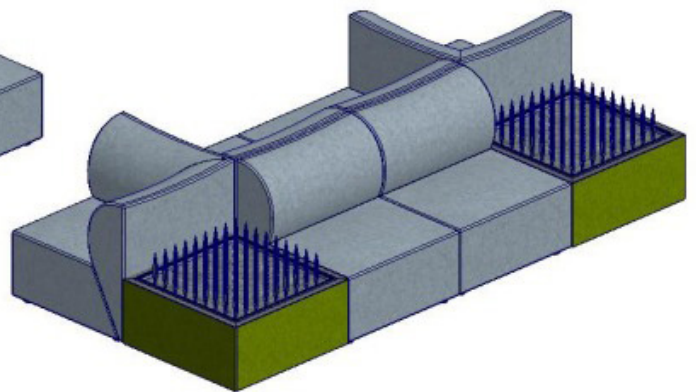
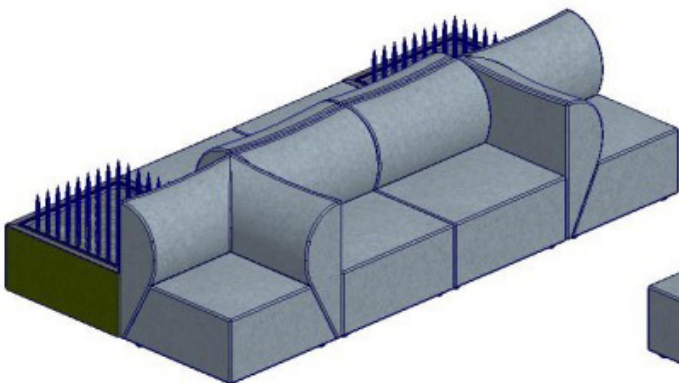
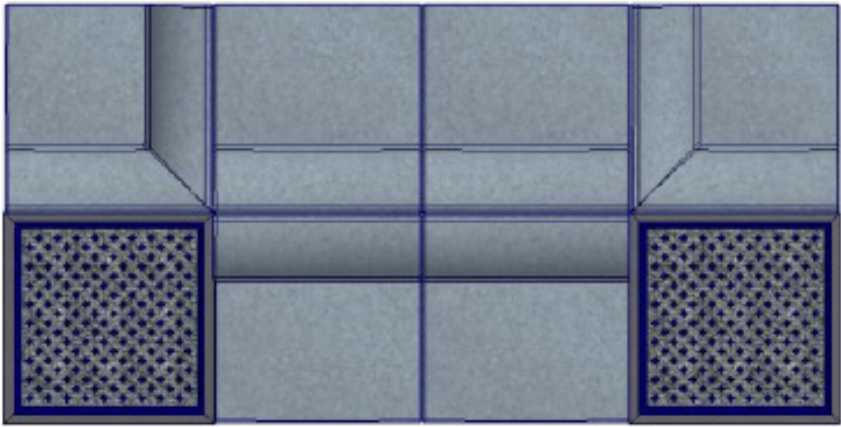
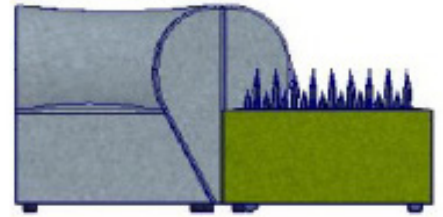
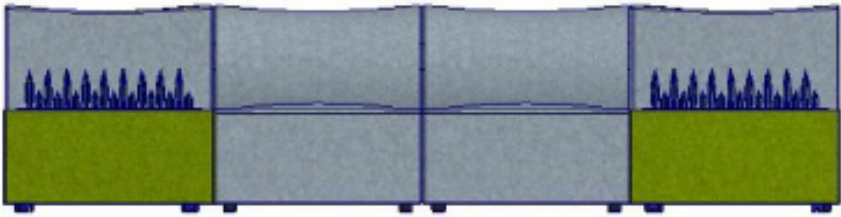
PRODUCT APPLICATION



PRODUCT APPLICATION



PRODUCT APPLICATION



∴ koleksiyon