

# POEMA

Designed by  
**Studio Kairos**



---

## VALUE PROPOSAL



Poema is designed as an alternative workplace setting; its lower seats and worktop elements replace standard height chairs and tables, creating a spatial richness in the work habitat. The main idea is to provide creative teamwork environments. The modular elements of the seat and plant units provide an open system for a wide variety of compositions, thus offering a palette for change when needed.

# POEMA

Designed by  
**Studio Kairos**

---

## PRODUCTION TIME



6-8 weeks + Shipping

---

## ASSEMBLY NOTES



The product is delivered assembled.

---

## WARRANTY



The warranty period shall be two years as of the date of delivery of the product.

Any malfunction that arises out of such use of the product that is in breach of the requirements and specifications set forth within the relevant user's manual shall be excluded from the warranty scope.

Warranty does not apply to customer's own fabric, leather, or other materials.

---

## CLEANING & MAINTENANCE



Clean with a damp cloth with no chemical agents.

The maintenance and cleaning instructions for fabric, wood, marble, glass, metal and plastic used in our products are available in the cleaning and maintenance manual.

\*Please scan the QR code to see the cleaning and maintenance manual.



## COLORS & MATERIALS



**Seat:** Selected fabrics or leathers

**Leg:** Black Plastic

Poema series supports following upholsteries of the Koleksiyon colours and materials catalogue.  
Please scan the QR code to see the fabric information.



### Fabrics

- A** FK028  
İstanbul  
Armoni
- B** Era  
Alba
- C** Jeans  
Jet  
Torino  
Rivet  
Furnilana
- D** Main Line Flax  
Synergy
- E** Matera  
Iseo  
Onix  
Remix 3  
Clara 2  
Reflect
- F** Craggan  
Oceanic  
Twin  
Credo  
Mirage  
Velvety  
Memory 2  
Steelcut Trio 3  
Encircle



### Leathers

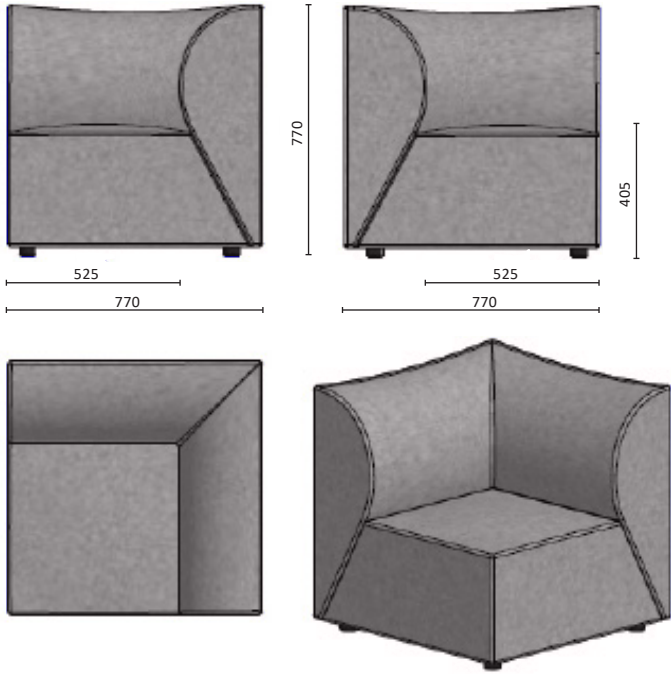
- Genuine Leathers A
- Genuine Leathers B
- Genuine Leathers C
- Artificial Leathers
- Vita Artificial Leathers

TECHNICAL DRAWINGS



POEMA S0 CORNER ARMCHAIR

1 pcs    
 0.55 m<sup>3</sup> 44.15 kg  
 19.42 cbft<sup>3</sup> 97.33 lbs



**Dimensions:**

- Overall Width:** 770 mm / 30.3"
- Overall Depth:** 770 mm / 30.3"
- Overall Height:** 770 mm / 30.3"
- Seat Height:** 405 mm / 15.9"
- Seat Depth:** 525 mm / 20.7"
- Seat Width:** 525 mm / 20.7"
- Arm Height:** 770 mm / 30.3"
- Arm Width:** 265 mm / 10.4"



For COM: Customer's Own Material  
 6 meters/6.56 yards of fabric required.

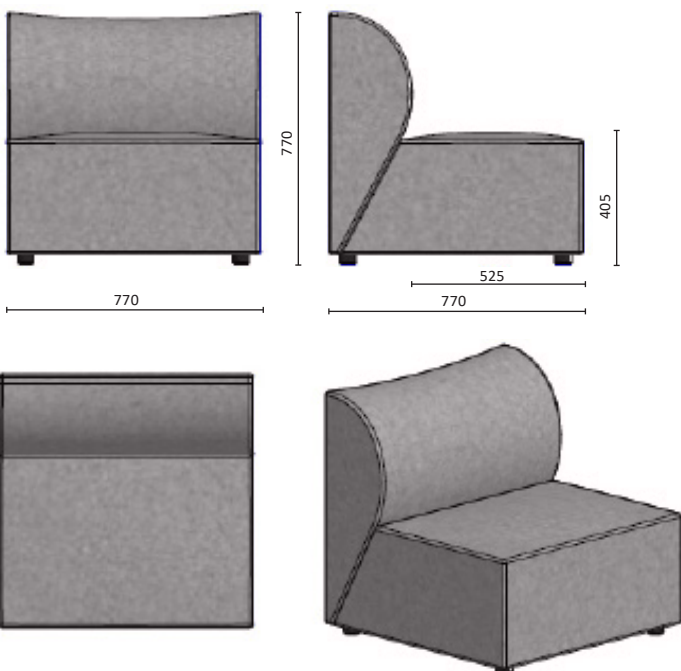
For COL: Customer's Own Leather  
 900 dm<sup>2</sup>/96.87 sq.ft of leather required.

**Product Description:**

Poema armchair corner unit features a steel structure frame covered with injection polyurethane foam of various density, upholstered with selected fabrics or leathers. The base has four glides in black plastic. Modules are linked to each other with metal ganging brackets.

POEMA S0 MIDDLE ARMCHAIR

1 pcs    
 0.59 m<sup>3</sup> 35 kg  
 20.84 cbft<sup>3</sup> 77.16 lbs



**Dimensions:**

- Overall Width:** 30.3" / 770 mm
- Overall Depth:** 30.3" / 770 mm
- Overall Height:** 30.3" / 770 mm
- Seat Height:** 15.9" / 405 mm
- Seat Depth:** 20.7" / 525 mm
- Seat Width:** 31.1" / 790 mm

For COM: Customer's Own Material  
 4.5 meters/4.92 yards of fabric required.

For COL: Customer's Own Leather  
 750 dm<sup>2</sup>/80.73 sq.ft of leather required.

**Product Description:**

Poema armchair middle unit features a steel structure frame covered with injection polyurethane foam of various density, upholstered with selected fabrics or leathers. The base has four glides in black plastic. Modules are linked to each other with metal ganging brackets.

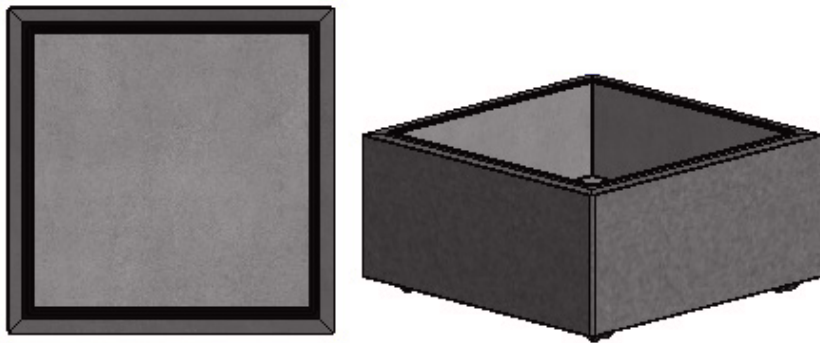
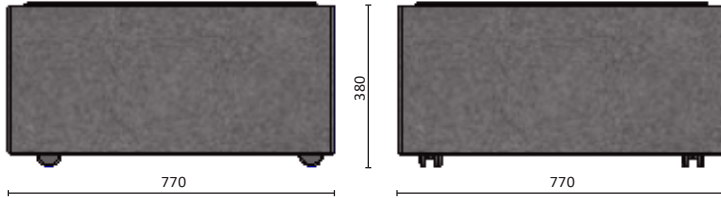
TECHNICAL DRAWINGS



POEMA S0 PLANTER

1 pcs  
0.28 m<sup>3</sup>  
9.88 cbft<sup>3</sup>

45.20 kg  
99.64 lbs



**Dimensions:**

**Overall Width:** 770 mm / 30.3"  
**Overall Depth:** 770 mm / 30.3"  
**Overall Height:** 380 mm / 15"

For COM Customer's Own Material  
 2 meters/2.19 yards of fabric required.

For COL Customer's Own Leather  
 150 dm<sup>2</sup>/16.14 sq.ft of leather required.

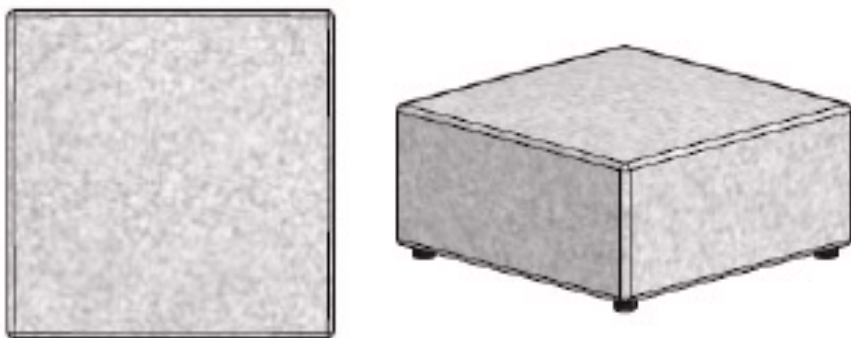
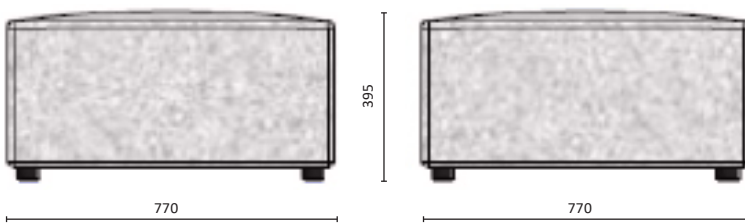
**Product Description:**

Poema planter features a steel structure frame covered with chipboard that gets upholstered in selected fabrics and leathers. The top edges of the planter are always covered in water-proof faux leather to prevent water damage on the upholstery material. The planter inside the unit is a polyfiber plastic container with dimensions 690 mm x 690 mm x 288 mm. The base consists of four black plastic casters. Modules are linked to each other with metal ganging brackets.  
 Note: This is the only mobile Poema unit with casters, therefore it does not fasten to other units. Modules are linked to each other with metal ganging brackets.

POEMA S0 POUF

1 pcs  
0.29 m<sup>3</sup>  
10.24 cbft<sup>3</sup>

19.40 kg  
42.77 lbs



**Dimensions:**

**Width:** 770 mm / 30.3"  
**Depth:** 770 mm / 30.3"  
**Height:** 395 mm / 15.6"

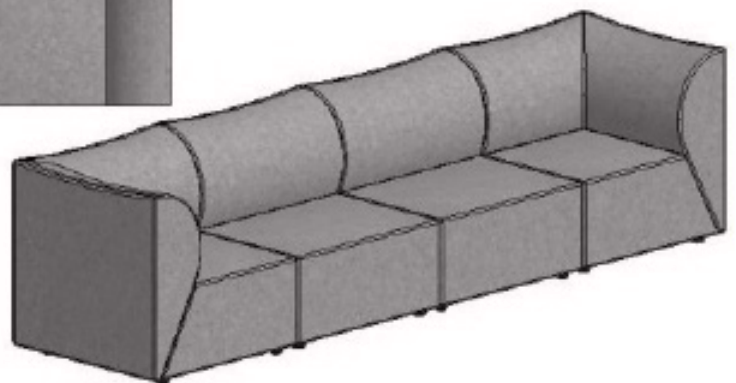
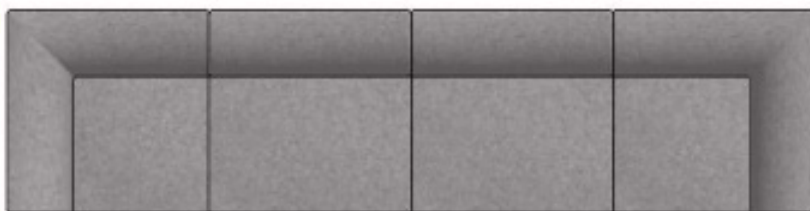
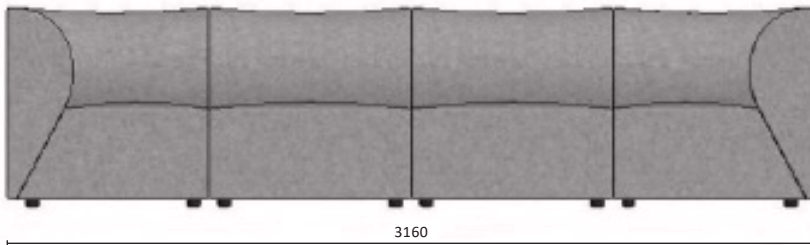
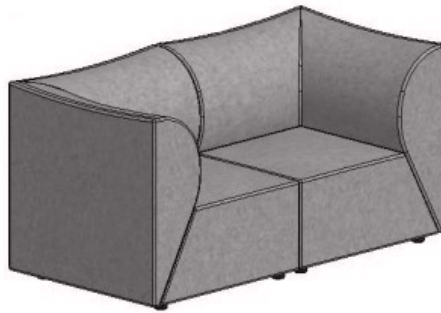
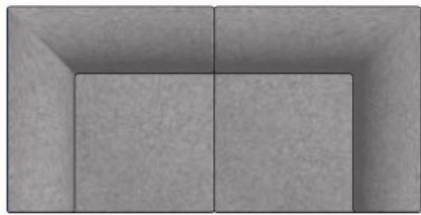
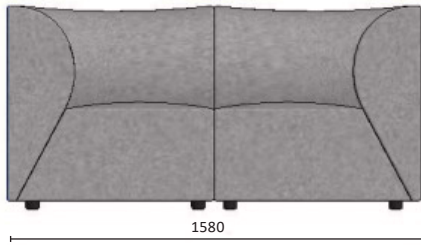
For COM: Customer's Own Material  
 2.5 meters/2.73 yards of fabric required.

For COL: Customer's Own Leather  
 450 dm<sup>2</sup>/48.44 sq.ft of leather required.

**Product Description:**

Poema pouf unit has a solid beech structure frame covered with injection polyurethane foam of various density, upholstered with selected fabrics or leathers. The base has four glides in black plastic. Modules are linked to each other with metal ganging brackets.

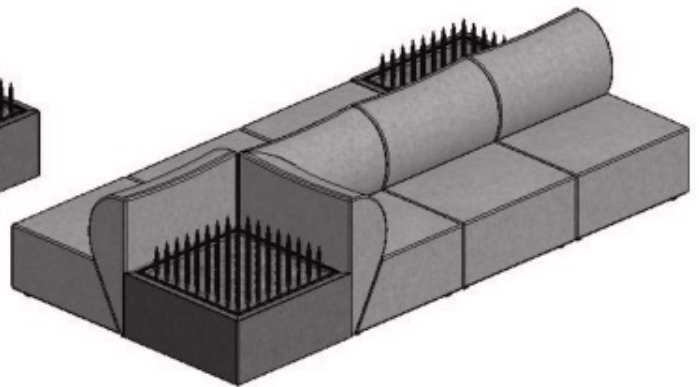
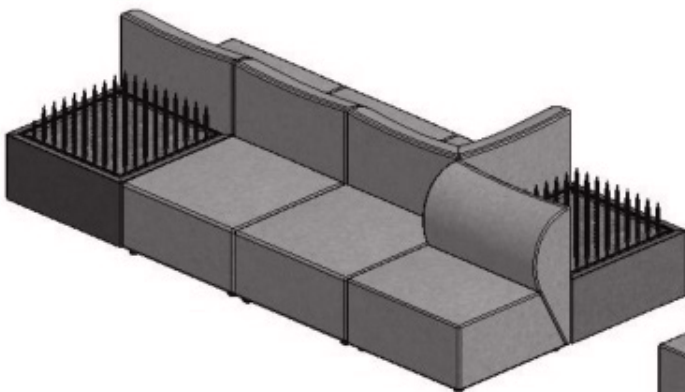
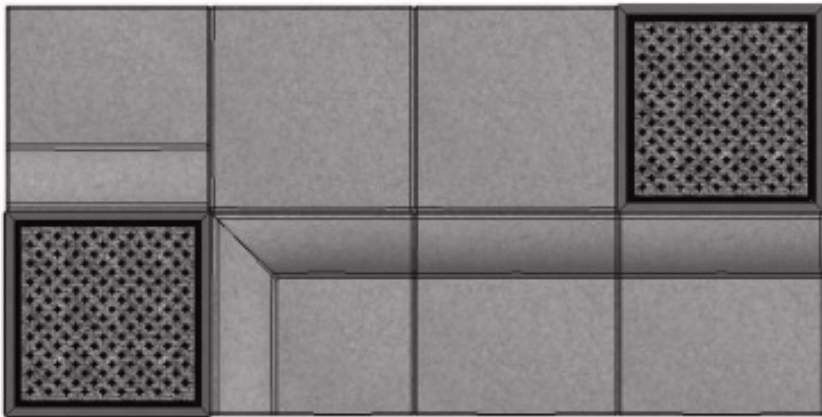
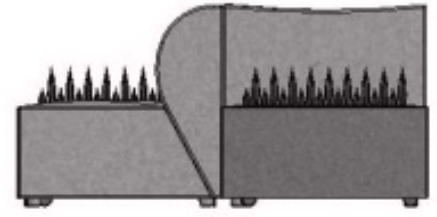
PRODUCT APPLICATION



PRODUCT APPLICATION



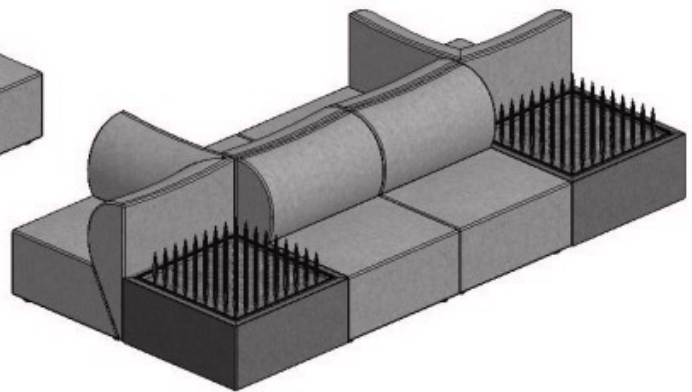
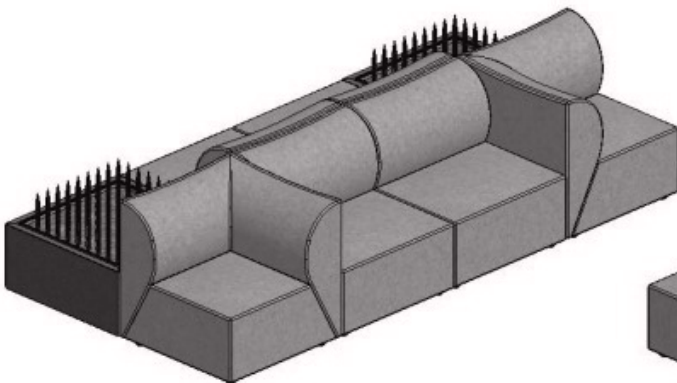
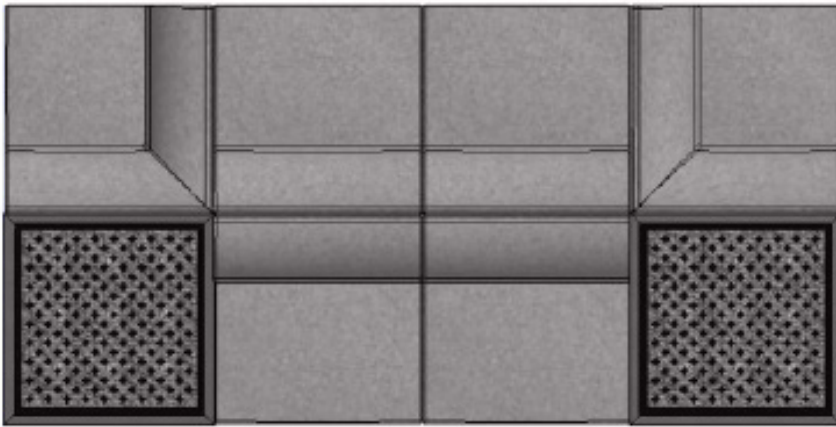
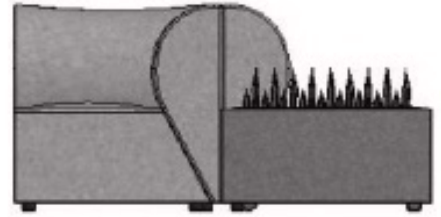
3160



PRODUCT APPLICATION



3160





∴ koleksiyon