

# KNOT

Designed by  
**ATELIER XTERIER**



## VALUE PROPOSAL



The Knot Chair was created with a perfect combination of an aluminum frame, and a wicker or woven rope seat with unparalleled craftsmanship. The woven rope which adds texture and transparency to the form, reflects the perfection of each knot made by hand. Simple lines offer a timeless design approach, lightness, and comfort together. In addition to its design accents, the Knot chair also stands out with its comfort and easy storage features.

# KNOT

Designed by  
**ATELIER XTERIER**

---

## PRODUCTION TIME



6-8 weeks + Shipping

---

## ASSEMBLY NOTES



The product is delivered assembled.

---

## AREA OF USE



Suitable for both Indoor and Outdoor use.

---

## WARRANTY



The warranty period shall be two years as of the date of delivery of the product.

Any malfunction that arises out of such use of the product that is in breach of the requirements and specifications set forth within the relevant user's manual shall be excluded from the warranty scope.

Warranty does not apply to customer's own fabric, leather, or other materials.

---

## CLEANING & MAINTENANCE



Clean with a damp cloth with no chemical agents.

The maintenance and cleaning instructions for fabric, wood, marble, glass, metal and plastic used in our products are available in the cleaning and maintenance manual.

\*Please scan the QR code to see the cleaning and maintenance manual.



**COLOURS & MATERIALS**



**Seat & Back:** The Knot Chair features powder coated aluminum frame and legs, with synthetic wicker and woven rope options for the seat and the backrest.

**Arms:** Solid mahogany or teak

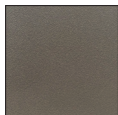
**Legs:** Powder coated aluminum

\*Color and material preference cannot be made other than product images.

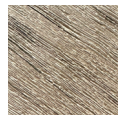
1 pcs  
 0.136 m<sup>3</sup> 3.77 kg  
 4.80 cbft<sup>3</sup> 8.31 lbs



MK / R28



IE ANTIQ. PALM SANDY NC72075



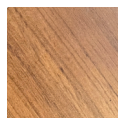
MAHOGANY



SYNTHETIC WICKER TWISTED HONEY 01



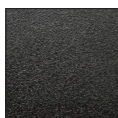
IE WHITE SANDY NC91119



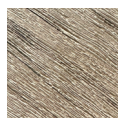
TEAK



MK / R1



IE BLACK RAL 9017 SANDY NC40845

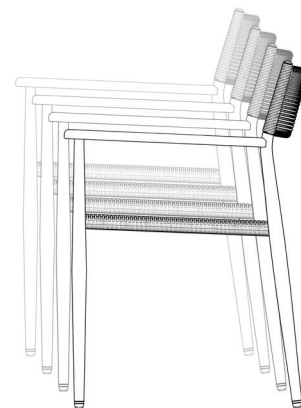
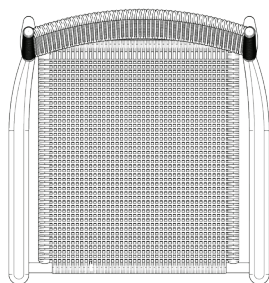
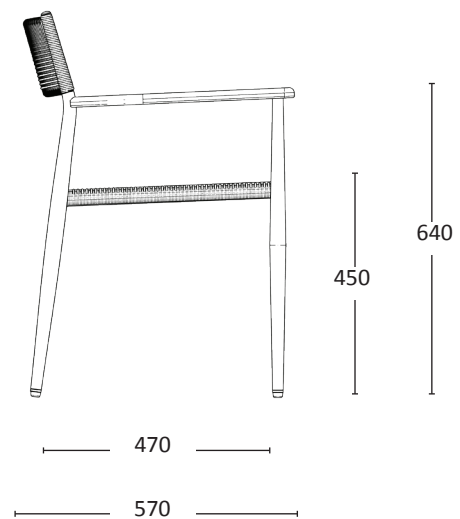
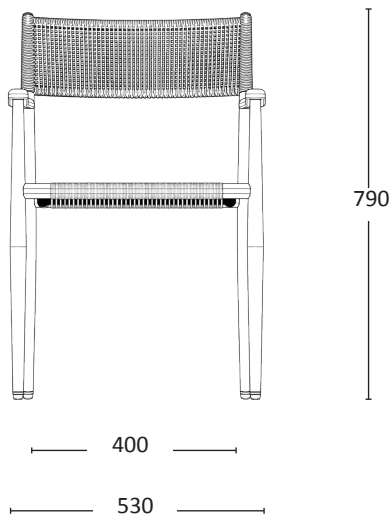


MAHOGANY

## TPOLOGY



### HUG CHAIR SERIES



#### Dimensions:

**Width:** 530 mm / 20.55"  
**Depth:** 570mm / 22.7"  
**Height:** 790 mm / 31.7"  
**Seat Height:** 450 mm / 17.2"  
**Arm Height:** 640 mm / 25.1"

#### Product Description:

- Knot chairs feature a powder coated aluminum frame and legs.
- The woven rope seat and backrest come with solid mahogany armrests, and the wicker seat and backrest come with solid teak armrests.
- Knot Chairs are stackable for convenient storage.
- The materials and coatings are suitable for indoor and outdoor use.
- The material options and combinations are fixed as modeled on page 3, and cannot be customized.

ꞑkoleksiyon