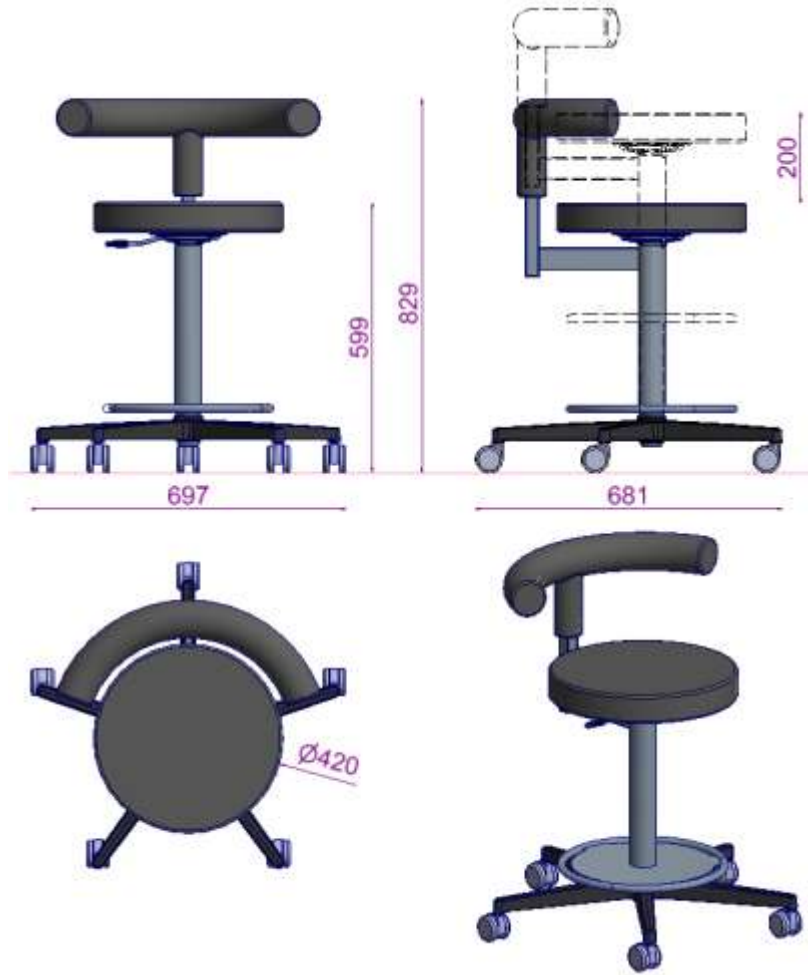


ANATOLE S0

ANATOLE S0 HIGH/LOW CHAIR/STOOL

Design;	Jean Michel Willmotte
Materials & Finishes	<ul style="list-style-type: none">a- Soft Polyurethane is applied on the plywood base. Fabric and Leather selections can be made from Koleksiyon material chart.b- A specifically designed back and arm support with a unique form, is used both in a low chair and high chair options.c- For the high chair and high stool models, a special foot-rest is specified, which is constructed with bent tubular steel with laser cut sheet steel.d- For aesthetic and safety reasons the gaslift is concealed within the outer tube skin.e- For all models, basic mechanism, gaslift, starbase and plastic wheels are specified in black colors. All models come with height adjustment.
Assembly;	<ul style="list-style-type: none">a- The back support structure is welded to the outer skin of gas lift column and then painted with an epoxy coat.b- The column tube is welded to the mechanism.c- The simple mechanism is assembled to the seat with metric screws.

ANATOLE S0



ANATOLE S0 HIGH CHAIR

L:697D:681H:829mm



ANATOLE S0 LOW CHAIR

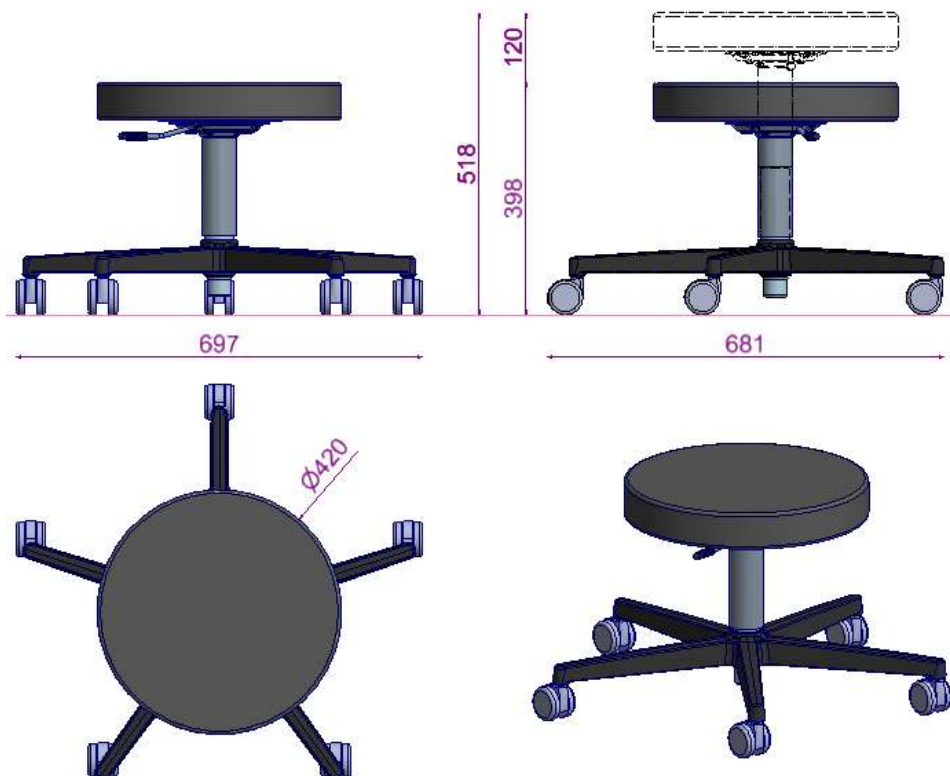
L:697D:681H:628mm

ANATOLE S0



ANATOLE S0 HIGH STOOL

L:697D:681H:599mm



ANATOLE S0 LOW STOOL

L:697D:681H:398mm