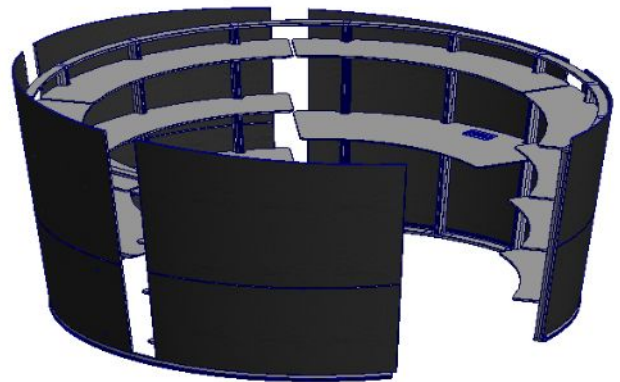
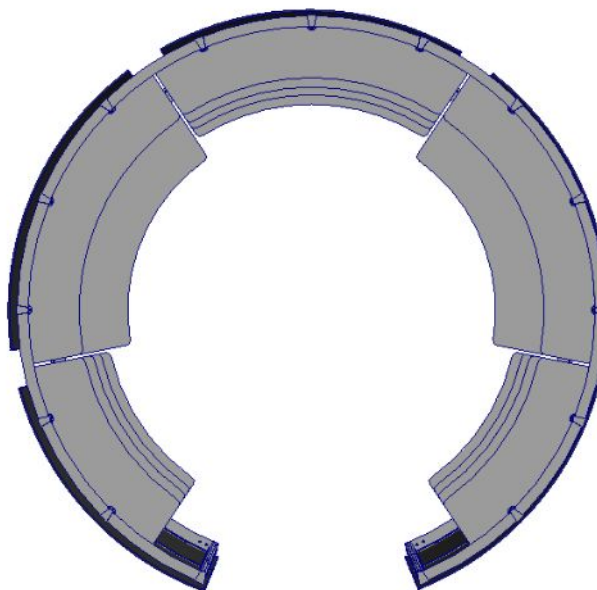
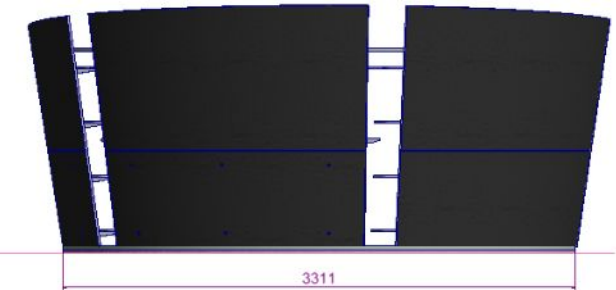
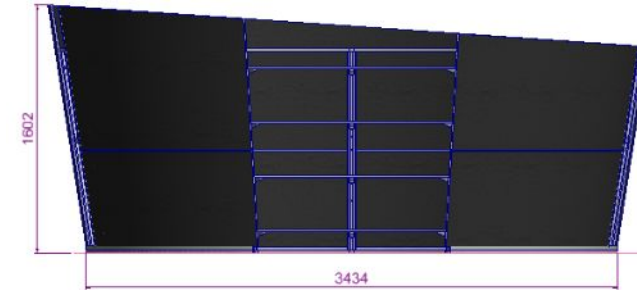
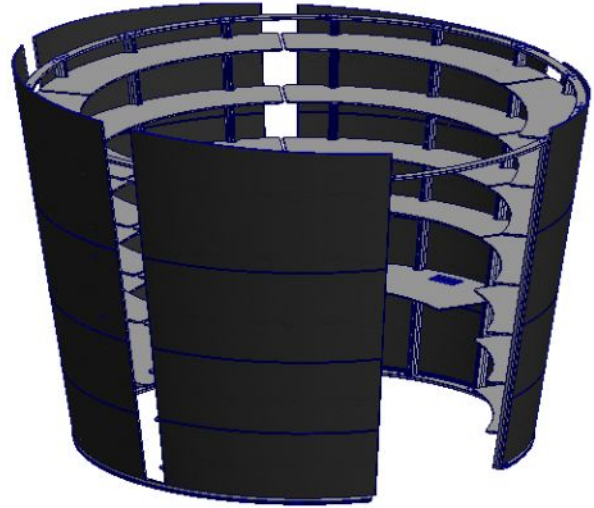
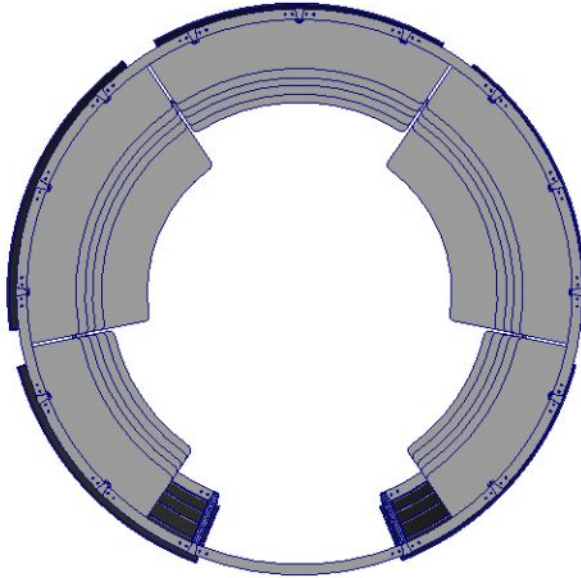
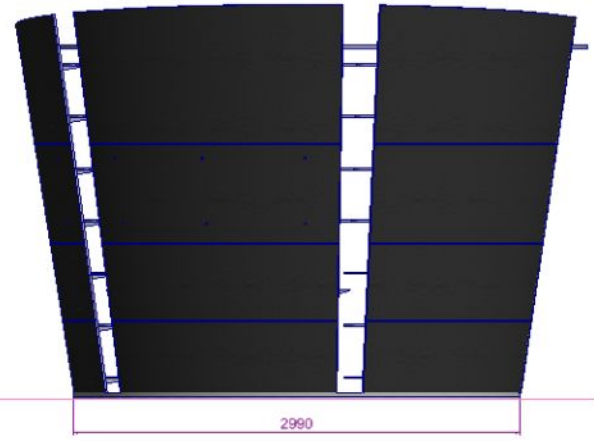
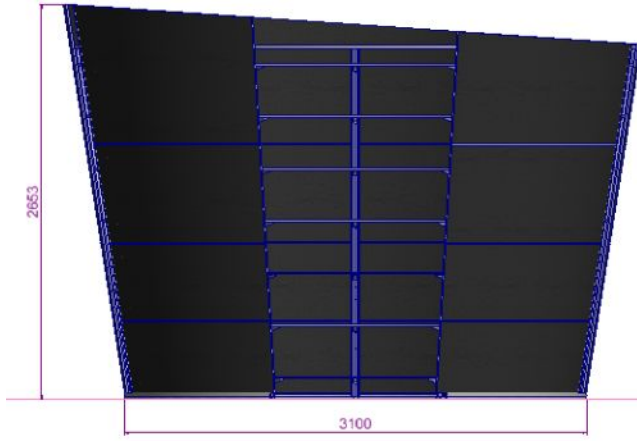


OBLIVION S0 PANEL

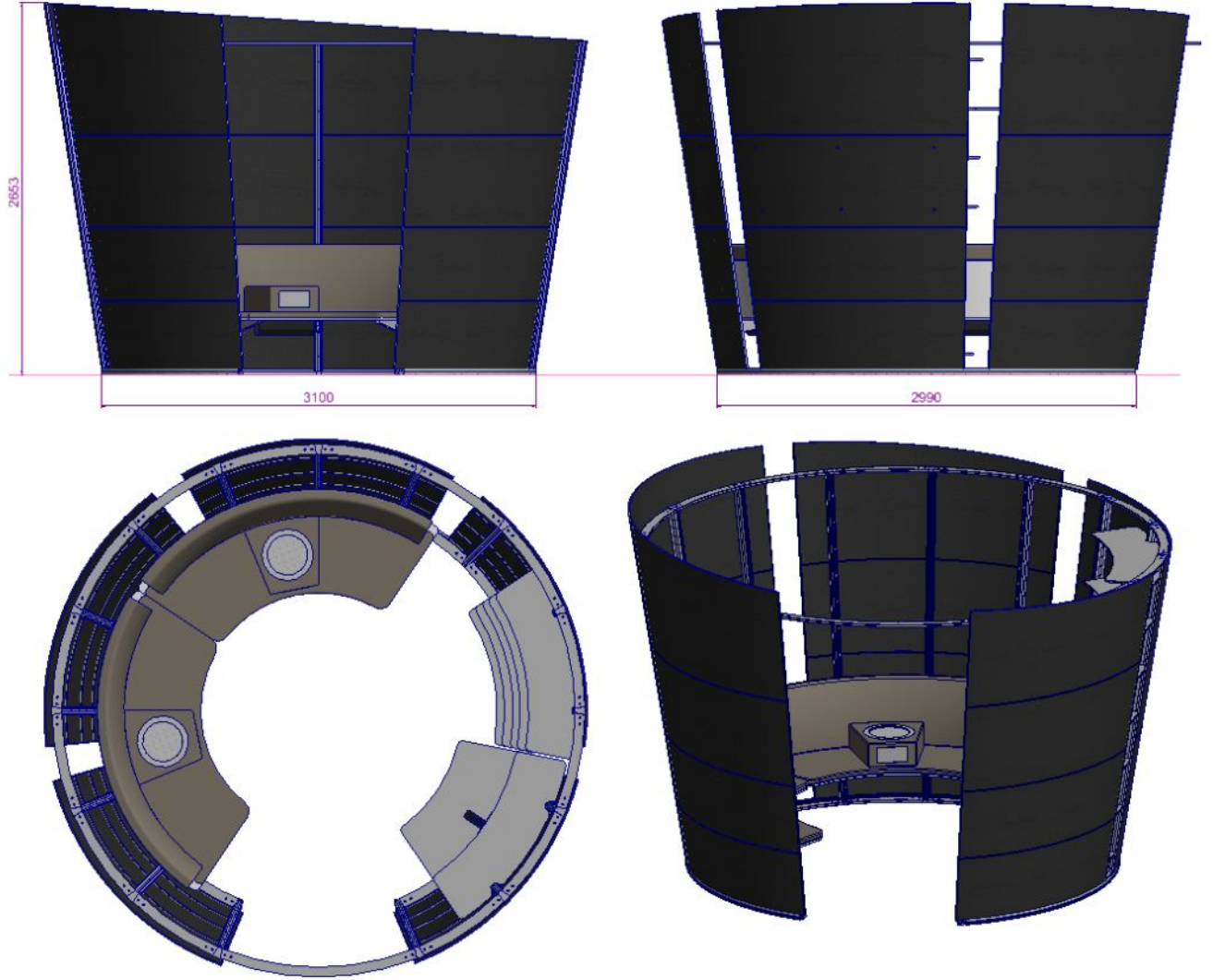
H240CLS, H130_CLS, H130_TPL PANEL;

<p>Design;</p>	<p>Koray Malhan</p>
<p>Materials & Finishes;</p>	<ul style="list-style-type: none"> a- Aluminum vertical posts; Specifically designed extruded aluminum profiles are in an epoxy coat or anodized finishes b- Shelves; 14mm MDF with a laminated surface with wax treatment on edges. <ul style="list-style-type: none"> 14mm MDF with natural veneer surface with wax treatment on edges. 14mm MDF with lacquer. c- Desktop; 25mm MDF with laminated surface with wax treatment on edges. <ul style="list-style-type: none"> 25mm MDF with natural veneer surface with wax treatment on edges. 25mm MDF with lacquer. d- Shelf brackets; Injected zamac brackets with plastic cover. e- Desk brackets; Bent sheet steel in 3mm Laser cut, epoxy coat finish. f- Horizontal Frame; 70x20x2mm tubular steel profile with epoxy coat finish. g- Panel surfaces; Bent Plywood in 12mm thickness upholstered with fabric on both sides. h- Seating plate; 6mm MDF covered with 4cm 35Density High Resilience CNC foam and 150 gr dacron, upholstered with fabric and assemble on 18mm MDF with lacquer finish. i- Back support; 12mm MDF Specifically bent in a curved form, padded with 35Density High Resilience CNC foam and 150 gr dacron, and upholstered with fabric. j- Mid-Armrest; 15mm plywood structure, front and sides are padded with 1cm 22Density gray foam, the top surface is padded with 1cm Eva foam and upholstered.
<p>Assembly;</p>	<ul style="list-style-type: none"> a- Vertical Aluminum posts in extruded aluminum and horizontal curved profiles in tubular steel are connected with injected aluminum connectors with metric screws. b- Panel Surfaces are assembled with injected plastic connectors to the vertical posts with Metric screws and nuts. c- Bracket Assembly; Specific sliding steel sheets are connected with metric screws. d- Shelf and desk assembly; Assembled with Metal bushing and metric bolts.

OBLIVION S0 PANEL



OBLIVION S0 PANEL
H240_OTR, H130_OTR,



OBLIVION S0 PANEL

