

PATH CABINET S5

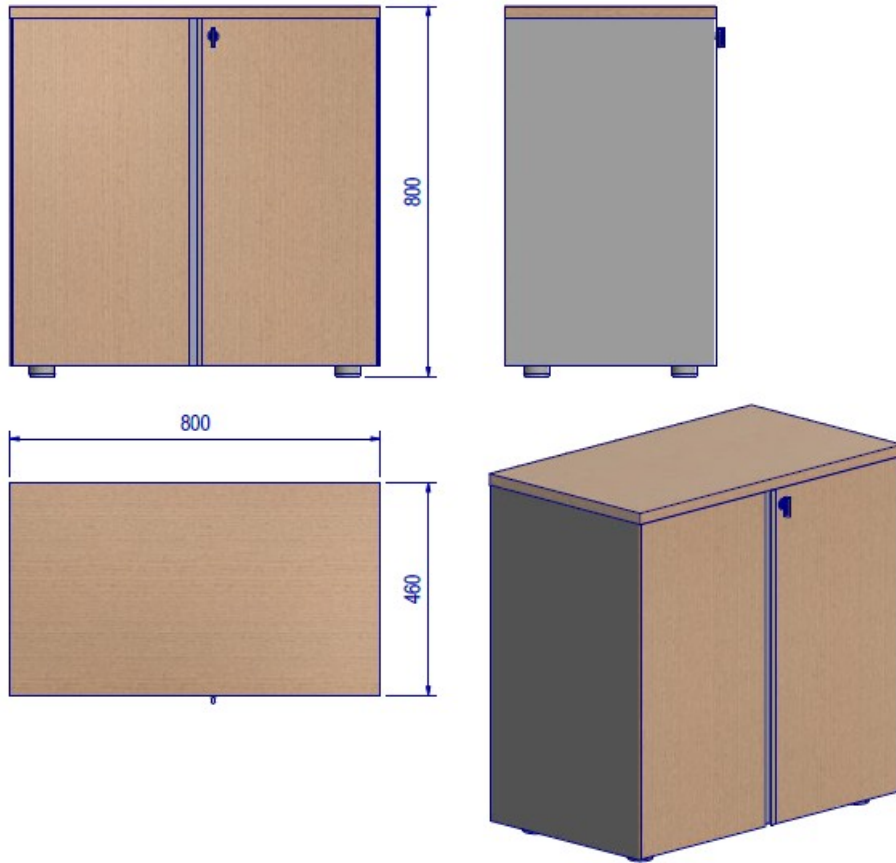
PATH CABINET S5

Design;

The series includes three different heights, all sides are in special bent sheet steel to increase durability, door types are with a hinge mechanism. The back panel is in one piece and the cabinet can be used for dividing space.

Materials & Finishes;

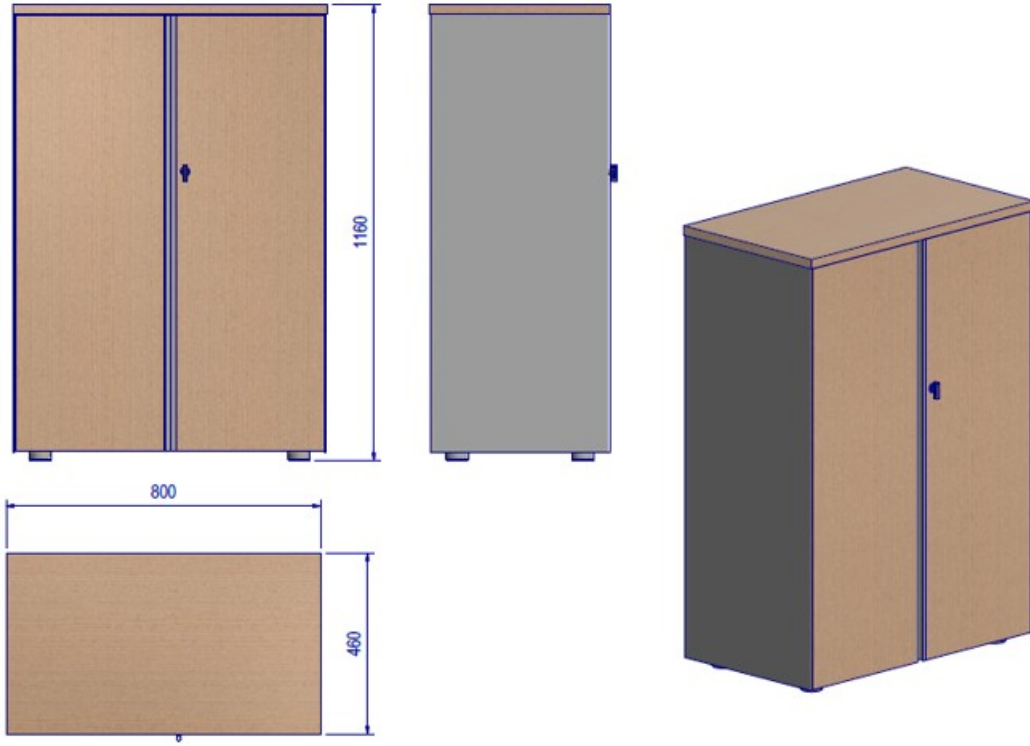
- a- **Top Panel;** 25mm melamine faced chipboard panel in E1 Norm
- b- **Side Panels;** sheet steel in 1mm with double layers and, specific detail for slim edges.
- c- **Doors, back panel, bottom panel and shelves;** 18mm melamine faced chipboard panel in E1 Norm.



PATH DOLAP S5 H1L1KPD

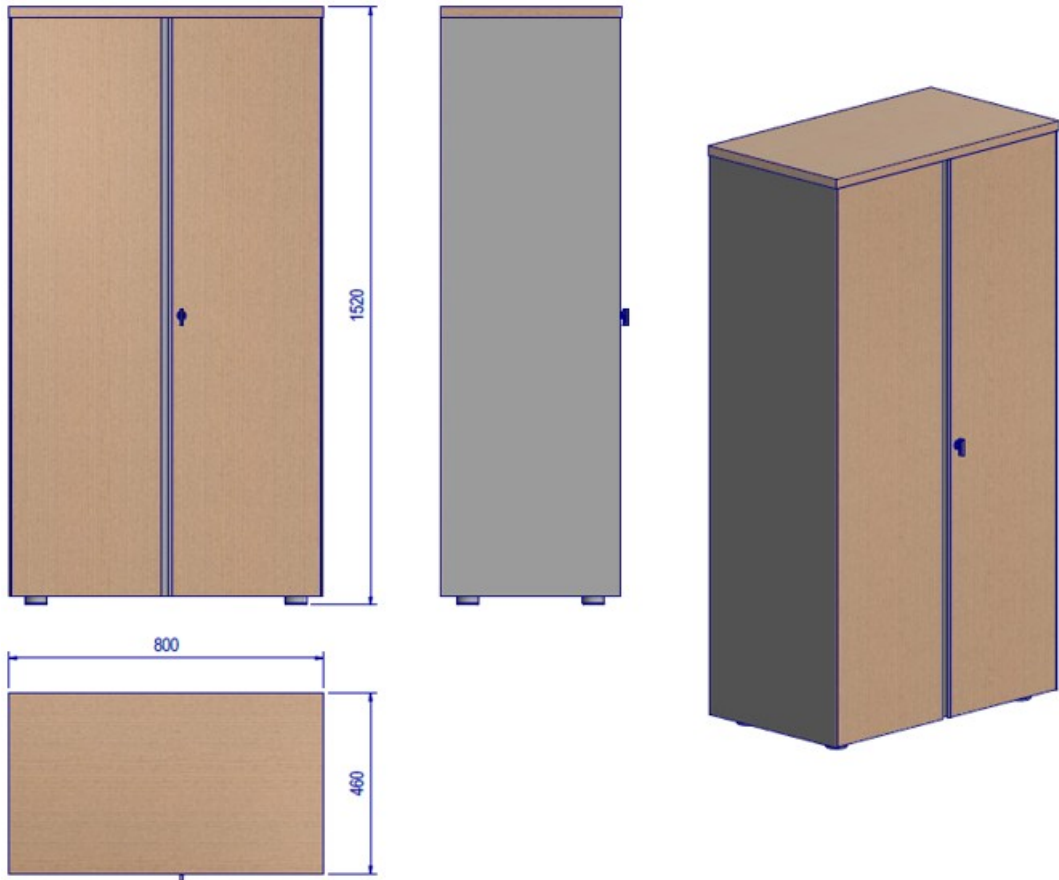
L:800 D:460 H:800mm

PATH CABINET S5



PATH DOLAP S5 H2L1KPD

L:800 D:460 H:1160mm



PATH DOLAP S5 H3L1KPD

L:800 D:460 H:1520mm